



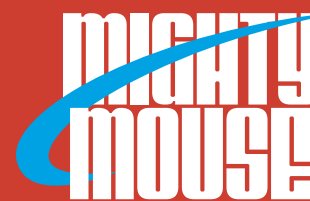
**SERIES 804 MIGHTY MOUSE**

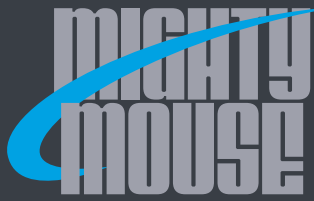
# Push-Pull Quick-Disconnect Mating

Shielded and sealed breakaway design crimp rear-release contact connectors



Mighty Mouse Series 804 Push-Pull connectors are typically employed in soldier-worn communications equipment and weapons hardware. The quick-disconnect 804 is equipped with chemical and environmental resistant fluorosilicone seals and coil spring shielding.





# SERIES 804 QDC PUSH-PULL Mighty Mouse Connectors and Cables Product Selection Guide



## Series 804

Connector features and benefits, connector weights, contact arrangement layouts, panel cut-out dimensions and key/keyway positions and polarizations

Page H-3



## Cable Plug with Crimp Contacts Band Platform

Cable plugs are available with an integral shield termination platform. For use with **Band-Master™ ATS** microbands sold separately. Accessory threads also available for backshell attachment. Contacts are crimp removable, and are packaged with the connector.

Page H-10



## "Cobra" Plug with Crimp Contacts and Band Platform

Right angle, low profile connectors feature an integrated backshell. Connector features removable crimp contacts accessible via the hood to provide an easy path for installation or repair of broken or bent pins.

Page H-12



## Lanyard-Release Plug with Crimp Contacts and Accessory Threads

Plug connector with lanyard. One Pull of lanyard quickly demates connectors, convenient for soldiers in the field or where gloved hands make grasping smaller connectors difficult. Connector features rear release, crimp contacts for simplified field repairs.

Page H-15



## Panel Mount Plug with Crimp Contacts and Band Platform

These panel mount plugs offer reduced profiles inside the box compared to panel mount receptacles. Connector bodies are sealed with epoxy to assure a water-tight open face seal.

Page H-17



## Panel Mount PCB Plug with PC Tails or Solder Cups

These panel mount plugs offer reduced profiles inside the box compared to panel mount receptacles. Connector bodies are sealed with epoxy to assure a water-tight open face seal.

Page H-21



## Receptacle with Crimp Contacts and Band Platform

Choose in-line or jam-nut mount receptacle. Two receptacle shell styles available. Select integral shield termination platform type or accessory threads for backshell attachment. Contacts are crimp-type, and packaged with the connector.

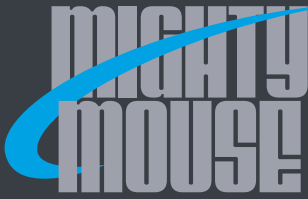
Page H-25



## Lanyard-Release Receptacle with Crimp Contacts and Accessory Threads

Receptacle connector with lanyard. One pull of lanyard quickly demates connectors, convenient for soldiers in the field or where gloved hands make grasping smaller connectors difficult. Connector features rear release, crimp contacts for simplified field repairs.

Page H-29



SERIES 804 QDC PUSH-PULL  
**Mighty Mouse Connectors and Cables**  
Product Selection Guide



**Receptacle with PC Tails or Solder Cups**

These panel mount connectors feature gold plated, factory-installed contacts. Connector bodies are sealed with epoxy to assure a water-tight open face seal.

**Page H-31**



**Receptacle with PC Tails, Solder Cups and Ground Pins**

These panel mount connectors feature copper alloy, gold plated PC tail or solder cup contacts. Ground pins provide a grounding path from the connector to the PCB board. Jam-nut or square flange shell styles available. Contacts are non-removable and parylene compatible.

**Page H-34**

**CODE RED™**



**Code Red Light Weight Hermetic Receptacle, PC Tails or Solder Cups**

Light weight aluminum shell hermetic with advanced encapsulant sealed contacts using conventional copper alloy / gold plated contacts for improved electrical performance over nickel-iron contacts. Available with solder cups or PC tails. Choose jam-nut or square flange versions. 100% tested to  $1 \times 10^{-7}$  cc/second helium leak rate.

**Page H-37**



**Hermetic Receptacles with PC Tails or Solder Cups**

Miniaturized glass-to-metal seal hermetic receptacle for sealed box or instrument panel applications. These stainless steel connectors are available with solder cup or PC tail contacts. 100% tested to  $1 \times 10^{-7}$  cc/second helium leak rate. Open face pressure rating 1000 PSI.

**Page H-40**



**Bulkhead Feed-Thru Connector**

Jam-Nut mount, shell sizes 5 to 15. This connector mates with all push/pull plug connectors with the same polarization and opposite contact genders. Copper alloy gold-plated contacts, pin to pin, pin to plug, or plug to plug.

**Page H-43**



**Series 804 Cordsets**

Choose from Phantom Cable or Polyurethane cordsets. Phantom cables offer increased flexibility where water ingress or debris are not present or critical to functionality. Select standard polyurethane cable for water tight applications, or specify low smoke/zero halogen polyurethane for applications where low toxicity is mandated.

**Page H-45**



# SERIES 804 Push-Pull QDC Connectors



Environmental Sealing and Rugged Design  
in a Lightweight, Push-Pull Package

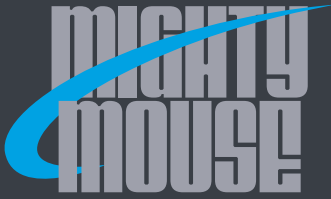
Ideal for breakaway connections, the Series 804 QDC connector features a gold-plated stainless steel spring in the receptacle and a detent on the plug body for reliable mating retention. Used for headsets, radios, weapons, and other tactical applications, the QDC Mighty Mouse 804 meets IP67 immersion requirements in the mated condition. The gold-plated spring provides low shell-to-shell resistance for excellent EMI shielding. A fluorosilicone O-ring provides a watertight seal in the mated condition.

- Push-to-Mate, Pull-to-Unmate
- Gold-Plated Stainless Steel EMI Spring
- Crimp Rear-Release Contacts
- Integral Band Platform
- Available with Size #12, #16, #20, #20HD and #23 Contacts
- Environmentally Sealed

Specifications	
Current Rating	#23-5 A, 20HD-7.5 A, #16-13 A, #12-23 A
Dielectric Withstanding Voltage	#23-750 VAC, #20HD-1000 VAC, #12 and #16-1800 VAC
Insulation Resistance	5000 megohms minimum
Operating Temperature	-65° C. to +175° C.
Shock	300 g.
Vibration	37 g.
Shielding Effectiveness <sup>(1)</sup>	60 dB minimum from 100MHz to 1000MHz.
Durability	2000 mating cycles
1. Tested with electroless nickel plating See Series 80 General Information for complete performance specs.	

Materials and Finishes	
Shells, Jam-Nuts	Aluminum alloy or stainless steel
Contacts	Copper alloy, 50 µlnch gold plated
Insulators	High grade rigid dielectric
Contact Retention Clip	Beryllium copper alloy
Seal, O-rings, Grommet	Fluorosilicone rubber
Spring	Gold plated stainless steel

SERIES 804 QDC PUSH-PULL



SERIES 804 QDC PUSH-PULL  
Mighty Mouse Connectors and Cables



Quick Disconnect, Connector Maximum Weight  
by Shell Size and Insert Arrangement

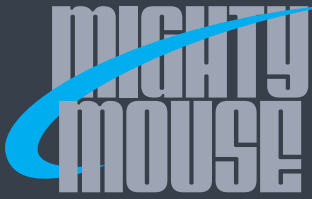
Series 804 Maximum Weight In Grams

Layout	Plug	Jam-Nut Receptacle		In-Line Receptacle
		Rear Mount	Front Mount	
5-3P	2.2	8	9.7	4
5-3S	2.4	8.3	9.8	4.1
6-1P	3.1	7.2	11.8	5.2
6-1S	3.4	7.5	12.1	5.5
6-4P	2.8	8.8	11.4	4.8
6-4S	3	9	11.6	5.1
6-6P	2.8	8.8	11.4	4.8
6-6S	3.1	9.2	11.8	5.2
6-7P	3	9.1	11.7	5.3
6-7S	3.2	9.5	12	5.5
6-23P	2.9	8.9	11.5	4.9
6-23S	3.6	9.3	11.9	5.3
7-1P	3.7	11.1	16.4	10.1
7-1S	4.3	11.7	16.9	10.7
7-25P	3.5	11	16.3	10
7-25S	4.2	11.7	16.9	10.7
7-10P	3.7	10.9	16.2	10
7-10S	4.2	11.3	16.5	10.3
8-1P	7.7	13.6	12.8	10.8
8-1S	10.1	10.1	11	13.5
8-2P	5	10.9	13.5	8
8-2S	5.7	5.7	11.7	9
8-28P	5.2	11.1	14.4	8.2
8-28S	6.2	6.2	12.9	9.5
8-13P	4.3	10.6	12.4	7.4
8-13S	4.8	11	13	8.1
8-200P	5.3	11.2	13.9	8.4
8-200S	6.1	12	14.6	9.1
9-4P	5.7	15.2	21.1	11
9-4S	6.7	16.2	22.1	12
9-210P	5.9	15	20.9	10.3
9-210S	6.7	16.2	22.1	12
9-19P	4.6	14.1	20	9.9
9-19S	4.8	14.9	21.1	9.8
9-200P	5.2	14.6	20.6	10.5
9-200S	6.3	15.7	21.7	11.6
9-201P	5.8	15.3	21.2	11.1
9-201S	6.9	16.4	22.3	12.2
10-2P	7	15.2	23	11.6
10-2S	8.3	16.5	24.4	12.9
10-5P	7.3	15.5	23.3	11.9
10-5S	8.7	16.9	24.8	13.3
10-26P	5.4	13.6	20.5	10.1
10-26S	6.2	13.9	21.1	10.5
10-200P	6.2	14.4	22.2	10.8
10-200S	7.6	15.8	23.7	12.2
10-201P	6.3	14.5	22.3	10.9

Series 804 Maximum Weight In Grams

Layout	Plug	Jam-Nut Receptacle		In-Line Receptacle
		Rear Mount	Front Mount	
10-201S	7.7	16	23.8	12.3
10-202P	6.3	14.5	22.3	10.9
10-202S	7.8	16.1	23.9	12.4
11-31P	10.1	16.6	26.1	13.4
11-31S	12.4	18.5	28.3	14.9
12-2P	10.7	21.5	26.1	20.8
12-2S	12.3	23.1	27.7	22.4
12-3P	11.7	22.4	27.1	21.8
12-3S	13.4	24.2	28.8	23.4
12-7P	11.9	22.7	27.3	22
12-7S	14.5	25.3	29.9	24.6
12-200P	10.3	21.1	25.7	20.5
12-200S	12.5	23.3	27.9	22.7
12-201P	10.7	21.5	26.1	22.8
12-201S	13	23.8	28.4	23.1
12-202P	10.8	21.6	26.2	20.9
12-202S	12.7	23.5	28.1	22.8
12-203P	11.6	21.9	26.5	21.2
12-203P	13	23.8	28.4	23.1
12-204P	11.2	22	26.6	21.3
12-204P	13	23.8	28.4	23.1
12-205P	12.3	23.1	27.7	22.4
12-205S	14.1	24.9	29.5	24.2
12-220	11.5	22.3	26.9	21.6
12-220	13.8	24.6	29.2	23.9
12-37P	10.1	21.5	25.5	22.4
12-37S	11.8	23.1	27.2	22.1
14-2P	18.7	31.6	36.9	29.6
14-2S	24.8	37.6	42.9	35.7
14-5P	15.4	28.3	33.6	26.3
14-5S	18.4	31.2	36.5	29.3
14-12P	16.2	29	34.3	27.1
14-12S	19.8	32.7	38	30.7
14-204P	14.1	27	32.3	25
14-204S	17.6	30.4	35.7	28.5
14-205P	14.4	27.3	32.6	25.3
14-205S	17.9	30.7	36	28.8
14-206P	14.6	27.5	32.8	25.5
14-206S	18	30.8	36.1	28.9
14-207P	15.4	28.3	33.6	26.3
14-207S	18.8	31.6	36.9	29.7
14-208P	16.6	29.5	34.8	27.5
14-208S	21.6	34.4	39.7	32.5
14-235P	15.7	28.6	33.9	26.6
14-235S	19.8	32.6	37.9	30.7
14-55P	12.8	25.6	30.9	23.7
14-55S	15.6	28.3	33.8	26.5

SERIES 804 QDC PUSH-PULL

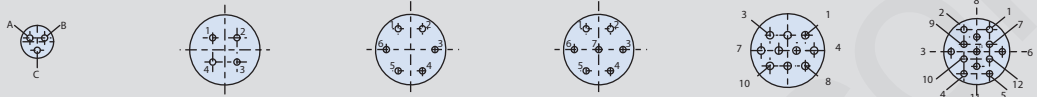


SERIES 804 QDC PUSH-PULL  
Mighty Mouse Connectors and Cables

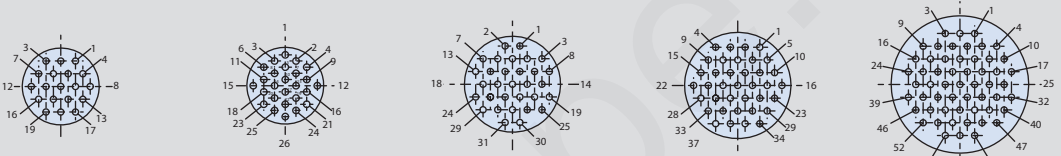


Contact Layouts  
Mating Face of Pin Insert Shown

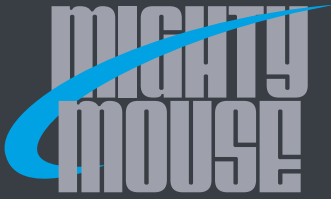
**SIZE #23 CONTACTS, TESTED AT 750 VAC**



Insert Arrangement	5-3	6-4	6-6	6-7	7-10	8-13
No. of Contacts	3	4	6	7	10	13



Insert Arrangement	9-19	10-26	11-31	12-37	14-55
No. of Contacts	19	26	31	37	55

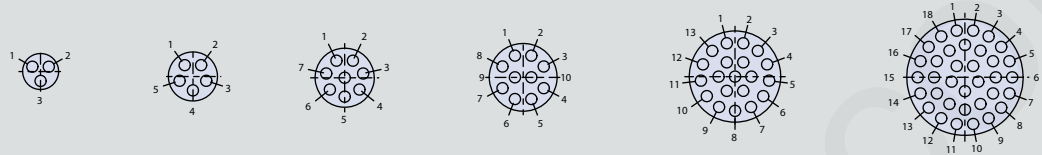


SERIES 804 QDC PUSH-PULL  
Mighty Mouse Connectors and Cables



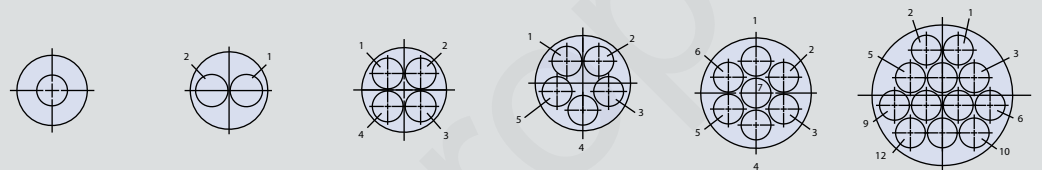
Contact Layouts  
Mating Face of Pin Insert Shown

**SIZE #20HD CONTACT ARRANGEMENTS, TESTED AT 1000 VAC**



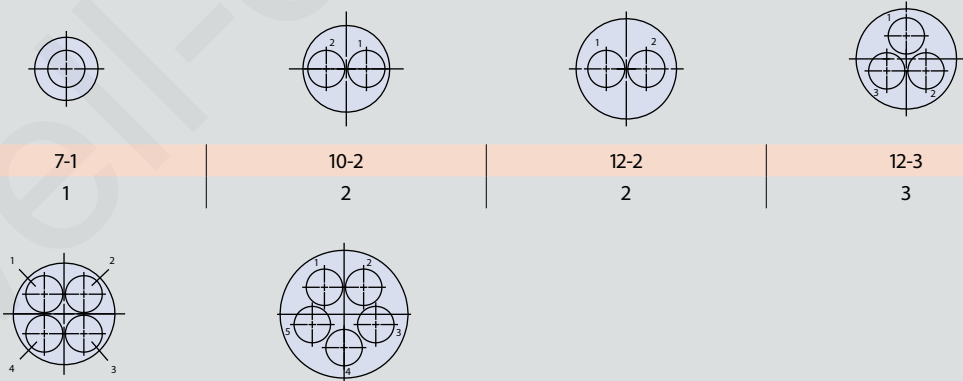
Insert Arrangement	6-23	7-25	8-28	9-210	12-220	14-235
No. of Contacts	3	5	8	10	20	35

**SIZE #16 CONTACT ARRANGEMENTS, TESTED AT 1800 VAC**



Insert Arrangement	6-1	8-2	9-4	10-5	12-7	14-12
No. of Contacts	1	2	4	5	7	12

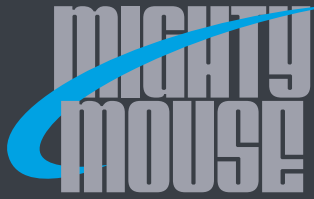
**SIZE #12 CONTACTS ARRANGEMENTS, TESTED AT 1800 VAC**



Insert Arrangement	7-1	10-2	12-2	12-3
No. of Contacts	1	2	2	3

Insert Arrangement	14-4	14-5
No. of Contacts	4	5

SERIES 804 QDC PUSH-PULL



# SERIES 804 QDC PUSH-PULL Mighty Mouse Connectors and Cables



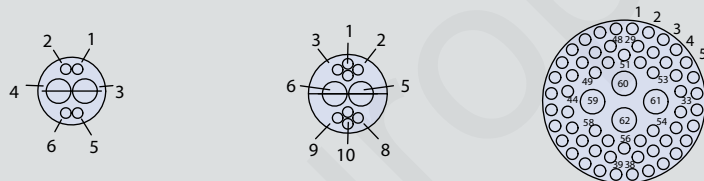
## Contact Layouts Mating Face of Pin Insert Shown

### SIZE #20 AND SIZE #23, COMBO CONTACT ARRANGEMENTS, TESTED AT 750 VAC



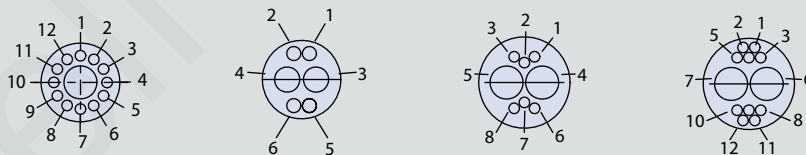
Insert Arrangement	8-200		9-201	
Contact Size	#12	#23	#12	#23
No. of Contacts	2	4	2	8
VAC Test Voltage	750		750	

### SIZE #16 AND SIZE #23, COMBO CONTACT ARRANGEMENTS, TESTED AT 750 VAC

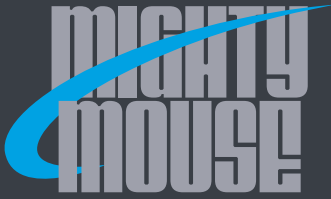


Insert Arrangement	9-200		10-202		15-206	
Contact Size	#16	#23	#16	#23	#16	#23
No. of Contacts	2	4	2	8	4	58
VAC Test Voltage	750		750		750	

### SIZE #12 AND SIZE #23, COMBO CONTACT ARRANGEMENTS, TESTED AT 750 VAC



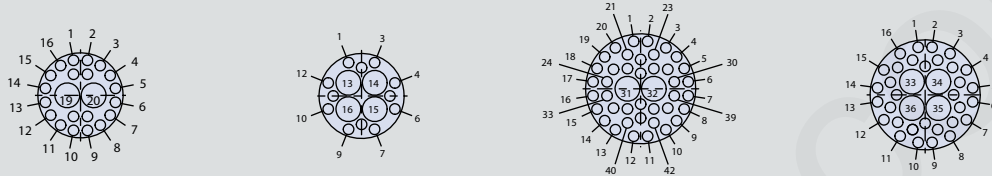
Insert Arrangement	10-200		10-201		12-200		12-201	
Contact Size	#12	#23	#12	#23	#12	#23	#12	#23
No. of Contacts	1	12	2	4	2	6	2	10
VAC Test Voltage	750		750		750		750	



**SERIES 804 QDC PUSH-PULL**  
**Mighty Mouse Connectors and Cables**  
**Contact Layouts**  
**Mating Face of Pin Insert Shown**

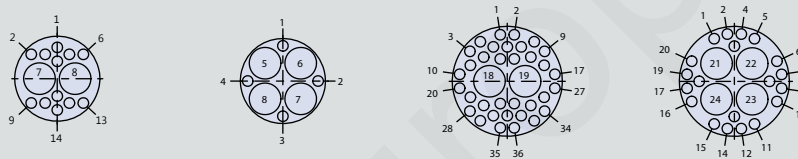


**SIZE #16 AND SIZE #23, COMBO CONTACT ARRANGEMENTS, TESTED AT 1300 VAC**



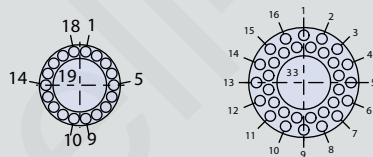
Insert Arrangement	12-202		12-203		14-204		14-205	
Contact Size	#16	#23	#16	#23	#16	#23	#16	#23
No. of Contacts	2	20	4	12	2	40	4	32
VAC Test Voltage	1300		1300		1300		1300	

**SIZE #12 AND SIZE #23, COMBO CONTACT ARRANGEMENTS, TESTED AT 1300 VAC**



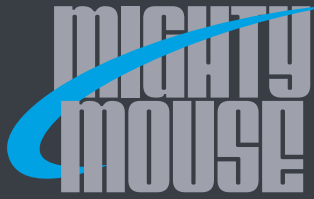
Insert Arrangement	12-204		12-205		14-206		14-207	
Contact Size	#12	#23	#12	#23	#12	#23	#12	#23
No. of Contacts	2	12	4	4	2	34	4	20
VAC Test Voltage	1300		1300		1300		1300	

**SIZE #8 AND SIZE #23, COMBO CONTACT ARRANGEMENTS, TESTED AT 1300 VAC**



Insert Arrangement	11-201		14-208	
Contact Size	#8	#23	#8	#23
No. of Contacts	1	18	2	32
VAC Test Voltage	1300		1300	

SERIES 804 QDC PUSH-PULL



# SERIES 804 QDC PUSH-PULL Mighty Mouse Connectors and Cables



## Panel Cutout Dimensions, Demate Force, and Polarization

### PANEL CUTOUT DIMENSIONS

Jam-Nut, Front Panel Mount Cutout Dimensions		
Shell Size	A Flat	Ø B
5	.480 (12.19)	.510 (12.95)
	.476 (12.09)	.505 (12.83)
6	.540 (13.72)	.572 (14.53)
	.536 (13.61)	.567 (14.40)
7	.673 (17.09)	.698 (17.73)
	.669 (16.99)	.693 (17.60)
8	.673 (17.09)	.698 (17.73)
	.669 (16.99)	.693 (17.60)
9	.725 (18.42)	.760 (19.30)
	.721 (18.31)	.755 (19.18)
10	.800 (20.32)	.822 (20.88)
	.796 (20.22)	.817 (20.75)
12	.982 (24.94)	1.010 (25.65)
	.978 (24.84)	1.005 (25.53)
14	1.032 (26.21)	1.072 (27.23)
	1.028 (26.11)	1.067 (27.10)

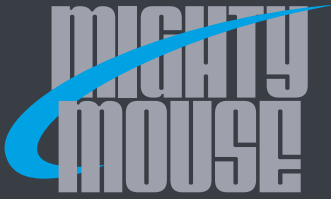
Jam-Nut Rear Panel Mount Cutout Dimensions		
Shell Size	A Flat	Ø B
5	.425 (10.80)	.448 (11.38)
	.421 (10.69)	.443 (11.25)
6	.480 (12.19)	.510 (12.95)
	.476 (12.09)	.505 (12.83)
7	.604 (15.34)	.635 (16.13)
	.600 (15.24)	.630 (16.00)
8	.604 (15.34)	.635 (16.13)
	.600 (15.24)	.630 (16.00)
9	.665 (16.89)	.698 (17.73)
	.661 (16.79)	.693 (17.60)
10	.731 (18.57)	.760 (19.30)
	.7427 (18.86)	.755 (19.18)
12	.853 (21.67)	.885 (22.48)
	.849 (21.56)	.880 (22.35)
14	.978 (24.84)	1.010 (25.65)
	.974 (24.74)	1.005 (25.53)

### DEMATING FORCE

Series 804 Demating Force		
Layout	Average Force	
	Pounds	Newtons
5-3	11	48
6-4	11	48
6-7	12	51
7-10	12	54
8-13	13	56
9-19	14	62
10-26	16	68
12-37	18	78
14-55	21	94

### POLARIZATION

Key and Keyway Positions		
	Plug	Receptacle
Pos.	A°	B°
A	150°	210°
B	75°	210°
C	95°	230°
D	140°	275°
E	75°	275°



SERIES 804 QDC PUSH-PULL

# Mighty Mouse Connectors and Cables



## Cable Connector Plug with Integral Shield Termination Platform or Accessory Threads



### Series 804 In-line Plugs

Plugs designed to snap securely into the receptacle housings and release with a simple pull. Two keying styles available. Select a single master key for fast mating in low-light situations, or specify alternate key positions where polarization is required. Two shell styles available. Select integral band platform for direct cable shield termination with use of Band-Master ATS® band. Choose accessory thread shell style for attaching a strain relief backshell or adapter. Aluminum or stainless steel shells available. Contacts are copper alloy and gold plated. Fluorosilicone interfacial and grommet seals provide IP67 sealing in the mated condition.

### How To Order

<b>Sample Part Number</b>	<b>804-001</b>	<b>-06</b>	<b>NF</b>	<b>9-19</b>	<b>S</b>	<b>A</b>
<b>Series (See Table I)</b>	<b>804-001</b> = Plug with Banding Platform <b>804-002</b> = Plug with Accessory Thread					
<b>Shell Style</b>	<b>-06</b> = Plug					
<b>Shell Material and Finish</b>	<b>C</b> = Aluminum / Black Anodize (Non-Conductive) <b>M</b> = Aluminum / Electroless Nickel <b>MT</b> = Aluminum / Nickel-PTFE <b>NF</b> = Aluminum / Cadmium with Olive Drab Chromate <b>ZNU</b> = Aluminum / Zinc-Nickel with Black Chromate <b>Z1</b> = Stainless Steel / Passivated					
<b>Shell Size - Insert Arrangement</b>	See Contact Arrangements Page H-6					
<b>Contact Type</b>	<b>Connector supplied without contacts</b> <b>A</b> = Pin, less contacts <b>B</b> = Socket, less contacts		<b>Connector supplied with contacts</b> <b>P</b> = Pin Connector <b>S</b> = Socket Connector		<b>Connector supplied with 30 AWG crimp Barrel</b> <b>G</b> = Pin, Crimp <b>H</b> = Socket, Crimp	
Connectors with contacts are supplied with crimp contacts. Contacts not installed. For coax contacts, order contacts separately and order connector without contacts.						
<b>Polarization (See Table II)</b>	<b>Omit</b> = Single Master Key <b>A</b> = Normal <b>B</b> = Pos. B <b>C</b> = Pos. C <b>D</b> = Pos. D <b>E</b> = Pos. E <b>F</b> = Pos. F					

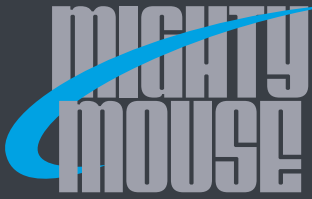
Table I: Series

<b>804-001</b> Plug with Banding Platform	<b>804-002</b> Plug with Accessory Thread

Table II: Key Positions

	<b>Pos.</b>	<b>A°</b>	<b>B°</b>
	A	150°	210°
	B	75°	210°
	C	95°	230°
	D	140°	275°
	E	75°	275°
	F	95°	210°

SERIES 804 QDC PUSH-PULL



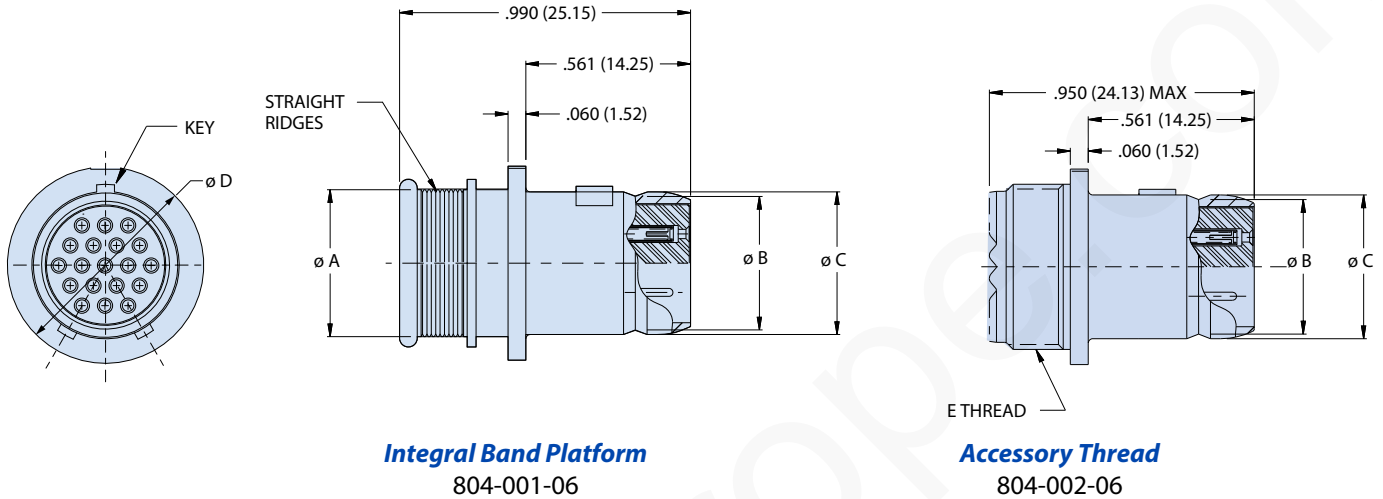
SERIES 804 QDC PUSH-PULL

Mighty Mouse Connectors and Cables



Cable Connector Plug with Integral Shield Termination Platform or Accessory Threads

**PLUG CONNECTOR - STYLE 06**

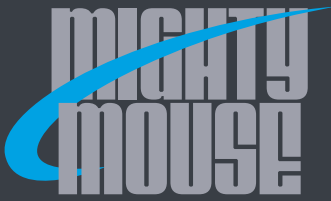


Dimensions					
Shell Size	Ø A	Ø B	Ø C	Ø D Max.	E Threads
5	.246 (6.25)	.219 (5.56)	.250 (6.35)	.427 (10.85)	.2500-32 UNEF-2A
6	.286 (7.26)	.282 (7.16)	.313 (7.95)	.495 (12.57)	.3125-32 UNEF-2A
7	.390 (9.91)	.351 (8.92)	.383 (9.73)	.575 (14.60)	.4375-28 UNEF-2A
8	.442 (11.23)	.398 (10.11)	.429 (10.90)	.614 (15.60)	.5000-28 UNEF-2A
9	.500 (12.70)	.454 (11.53)	.486 (12.34)	.670 (17.02)	.5625-24 UNEF-2A
10	.564 (14.33)	.529 (13.44)	.563 (14.30)	.745 (18.92)	.6250-24 UNEF-2A
11	.608 (15.44)	.587 (14.91)	.618 (15.70)	.795 (20.19)	.6875-24 UNEF-2A
12	.650 (16.51)	.646 (16.41)	.676 (17.17)	.865 (21.97)	.6875-24 UNEF-2A
14	.805 (20.45)	.768 (19.51)	.800 (20.32)	.985 (25.02)	.9375-20 UNEF-2A

**NOTES**

1. Contacts are size 23 crimp type, and used in a rear release retention system.
2. For additional insert arrangements consult factory
3. Crimp barrel accommodates 22, 24, 26 and 28 gage wire
4. Crimp Tool Data:
  - Crimp Frame: 809-015
  - Positioner for use with crimp frame: Glenair part no. 809-005
  - Insertion / extraction tool: Glenair part no. 809-088
5. Connector, plug mates with all push/pull high density receptacle connectors with same polarization and opposite contact gender
6. Rear insulator grommet not supplied
7. Material and Finish
  - Shell: aluminum alloy or CRES / see how to order table
  - Insulator: high grade rigid dielectric
  - Interfacial seal, gasket: fluorosilicone / N.A.
  - Contact: copper alloy / gold plate per ASTM B 488, Type II, Code C, Class 1.25, over suitable underplate

SERIES 804 QDC PUSH-PULL



# SERIES 804 QDC PUSH-PULL Mighty Mouse Connectors and Cables



## Cobra™ Right Angle Crimp Contact Plug with Integral Shield Termination Platform



### Series 804 Cobra™ Style Plug

Integral ultra-low profile right angle banding backshell reduces clearance requirements without compromising ruggedness, environmental protection, or shielding performance. Rear cover allows easy access and installation of pin and socket contacts. Cover gasket prevents moisture intrusion. Cover designed with lip to allow for quick, single-handed demating of plug. Eight clocking positions available. Offered in aluminum or stainless steel shells. Contacts are gold-plated copper alloy. Crimp contact version include snap-in rear release contacts. High-grade rigid dielectric insulators and fluorosilicone wire seal. Solder cup versions are factory-installed and epoxy potted. Available with 3 to 55 contacts. Size #23 contacts accept 22-28 AWG wire. Fluorosilicone interfacial seal and gasket for IP67 sealing in the mated condition.

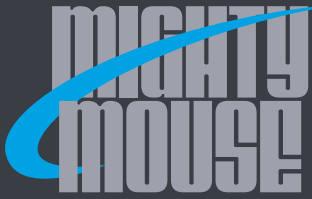
How To Order	
<b>Sample Part Number</b>	<b>804-066-06 ZNU 8-13 P A 1 05</b>
<b>Series</b>	<b>804-066-06 = Push Pull Plug</b>
<b>Shell Material and Finish</b>	<b>M</b> = Aluminum / Electroless Nickel <b>MT</b> = Aluminum / Nickel-PTFE <b>NF</b> = Aluminum / Cadmium with Olive Drab Chromate <b>ZNU</b> = Aluminum / Zinc-Nickel with Black Chromate <b>Z1</b> = Stainless Steel / Passivated
<b>Shell Size - Insert Arrangement</b>	<b>5-3, 6-4, 6-6, 6-7, 7-10, 8-13, 9-19, 10-26, 12-37, 14-55</b>
<b>Contact Type</b>	<b>A</b> = Pin, Solder Cup <b>P</b> = Pin, Crimp <b>B</b> = Socket, Solder Cup <b>S</b> = Socket, Crimp
<b>Polarization (See Table I)</b>	<b>Omit</b> = Single Master Key <b>A</b> = Normal <b>B</b> = Pos. B <b>C</b> = Pos. C <b>D</b> = Pos. D <b>E</b> = Pos. E <b>F</b> = Pos. F
<b>Cable Exit Position (See Table II)</b>	<b>1 through 8</b>
<b>Cable Entry Size (See Table III)</b>	<b>2 through 12</b>

	Pos.	A°	B°
	<b>A</b>	150°	210°
	<b>B</b>	75°	210°
	<b>C</b>	95°	230°
	<b>D</b>	140°	275°
	<b>E</b>	75°	275°
	<b>F</b>	95°	210°

	Pos	C°
	<b>1</b>	0°
	<b>2</b>	45°
	<b>3</b>	90°
	<b>4</b>	135°
	<b>5</b>	180°
	<b>6</b>	225°
	<b>7</b>	270°
<b>8</b>	315°	

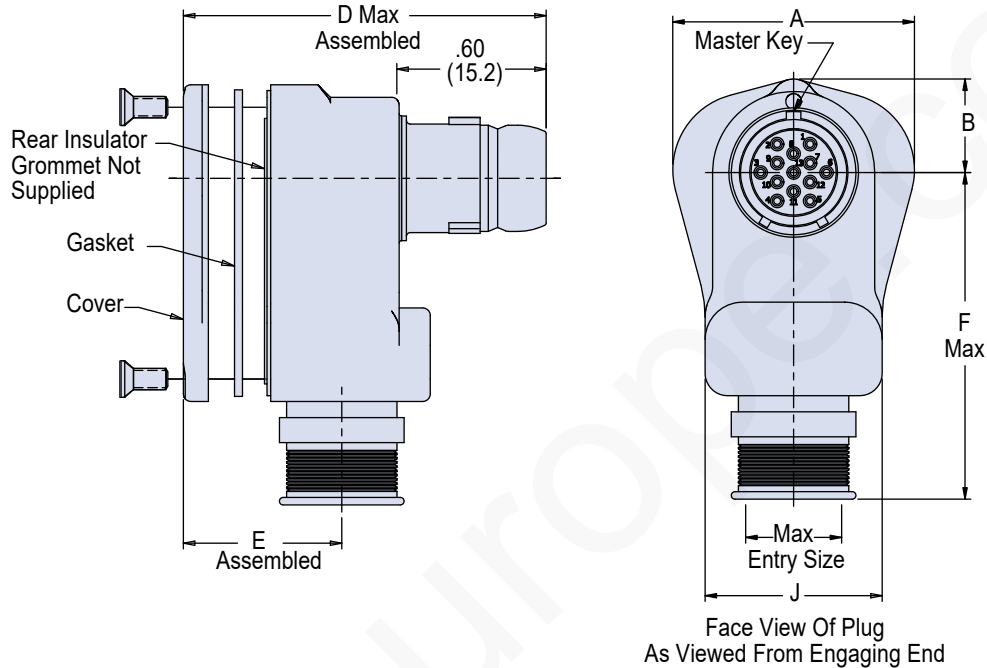
Code	Entry Size
<b>02</b>	0.125
<b>03</b>	0.188
<b>04</b>	0.250
<b>05</b>	0.313
<b>06</b>	0.375
<b>07</b>	0.438
<b>08</b>	0.500
<b>09</b>	0.563
<b>10</b>	0.625
<b>11</b>	0.688
<b>12</b>	0.750

SERIES 804 QDC PUSH-PULL



Cobra™ Right Angle Crimp Contact Plug with Integral Shield Termination Platform

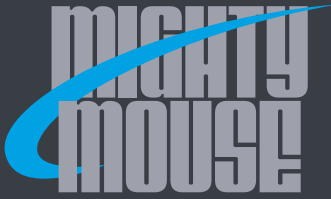
**RIGHT ANGLE LOW PROFILE CABLE PLUG**



Dimensions									
Shell Size	Ø A	B	D Max	E Max	F	G Max	H Max	J	Max Entry Size
5	.67 (17.02)	.27 (6.86)	1.03 (26.16)	.32 (8.13)	1.21 (30.73)	1.34 (34.04)	1.16 (29.46)	.500 (12.70)	03
6	.75 (19.05)	.30 (7.62)	1.08 (27.43)	.34 (8.64)	1.24 (31.50)	1.39 (35.31)	1.21 (30.73)	.560 (14.22)	04
7	.88 (22.35)	.34 (8.64)	1.20 (30.48)	.39 (9.91)	1.28 (32.51)	1.50 (38.10)	1.32 (33.53)	.650 (16.51)	05
8	.97 (24.64)	.38 (9.65)	1.24 (31.50)	.42 (10.67)	1.31 (33.27)	1.54 (39.12)	1.36 (34.54)	.710 (18.03)	06
9	1.06 (26.92)	.41 (10.41)	1.30 (33.02)	.45 (11.43)	1.34 (34.04)	1.61 (40.89)	1.43 (36.32)	.770 (19.56)	07
10	1.15 (29.21)	.44 (11.18)	1.35 (34.29)	.48 (12.19)	1.37 (34.80)	1.66 (42.16)	1.47 (37.34)	.835 (21.21)	08
12	1.33 (33.78)	.50 (12.70)	1.44 (36.58)	.52 (13.21)	1.48 (37.59)	1.75 (44.45)	1.56 (39.62)	.950 (24.13)	10
14	1.46 (37.08)	.56 (14.22)	1.53 (38.86)	.58 (14.73)	1.64 (41.66)	1.84 (46.74)	1.69 (42.93)	1.070 (27.18)	12

**NOTES**

- Contacts are size 23
- Consult factory for additional contact arrangements and/or shell orientations
- Crimp barrel accommodate 22, 24, 26 and 28 gage wire
- Crimp tool data:
  - Hand crimp tool: Glenair part no. 809-015
  - Positioner for hand tool: Glenair part no. 809-055
  - Insert/extraction tool: Glenair part no. 809-088
- Mates with all QDC, high density receptacle connectors with same polarization and opposite contact gender (804-003 through 804-006, 804-009, 804-020 and 804-021)
- Rear insulator grommet not supplied
- Material and Finish
  - Plug barrel, housing, cover: aluminum alloy or CRES/ see how to order table
  - Insulator: high grade rigid dielectric
  - Interfacial seal, gasket: fluorosilicone / N.A.
  - Contact: copper alloy / gold plate per ASTM B 488, Type II, Code C, Class 1.25, over suitable underplate
  - Contact retention clip: beryllium copper alloy / N.A.
  - Hardware: stainless steel / passivate or black oxide



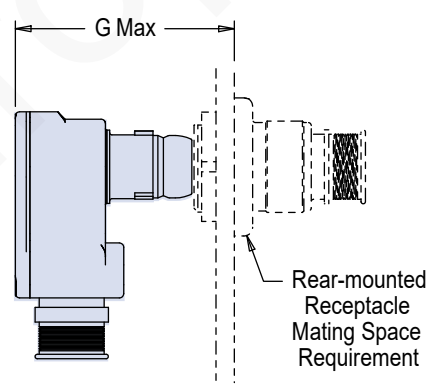
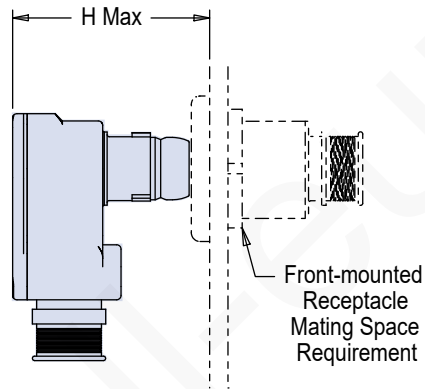
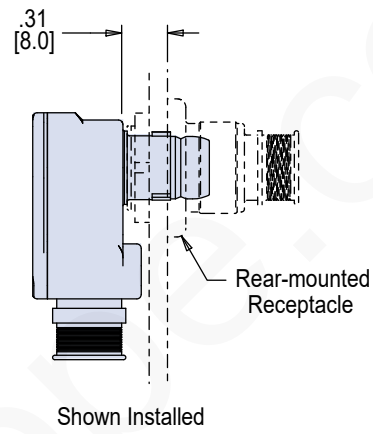
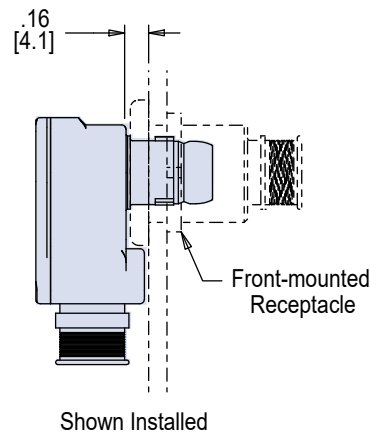
SERIES 804 QDC PUSH-PULL

Mighty Mouse Connectors and Cables

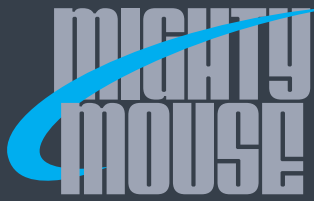


Cobra™ Right Angle Crimp Contact Plug with Integral Shield Termination Platform

**MATING SPACE REQUIREMENTS**



SERIES 804 QDC PUSH-PULL



# SERIES 804 QDC PUSH-PULL Mighty Mouse Connectors and Cables



## Lanyard-Release Crimp Contact Plug with Accessory Threads



### Series 804 Lanyard-Release Plug

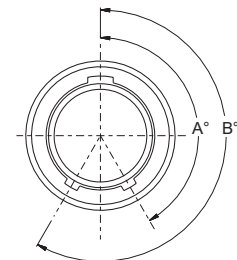
Quick-release lanyard-equipped series 804 plugs provide unparalleled performance wherever lanyard-assisted disengagement is required. Designed to provide quick disconnect of the connector plug with a simple axial pull on the lanyard. Includes rear accessory thread for attachment of backshells or adapters. Crimp contacts are copper alloy/gold plated. IP67 in the mated condition.

How To Order										
<b>Sample Part Number</b>	<b>804-113 -06 M 6-7 P A 6</b>									
<b>Series</b>	<b>804-113</b> = 804 Push / Pull Plug with lanyard									
<b>Shell Style</b>	<b>-06</b> = Plug with accessory thread									
<b>Shell Material and Finish</b>	<b>C</b> = Aluminum / Black Anodize (Non-Conductive) <b>M</b> = Aluminum / Electroless Nickel <b>MT</b> = Aluminum / Nickel-PTFE <b>NF</b> = Aluminum / Cadmium with Olive Drab Chromate <b>ZN</b> = Aluminum / Zinc-Nickel with Olive Drab Chromate <b>ZNU</b> = Aluminum / Zinc-Nickel with Black Chromate <b>Z1</b> = Stainless Steel / Passivated									
<b>Shell Size - Insert Arrangement</b>	Available in Shell Sizes 5 thru 14. See Contact Arrangements Page H-6									
<b>Contact Style</b>	<table border="0"> <tr> <td><b>Connector supplied without Crimp contacts</b></td> <td><b>Connector supplied with contacts</b></td> <td><b>Connector Supplied with 30 AWG Crimp Barrel</b></td> </tr> <tr> <td><b>A</b> = Pin Connector</td> <td><b>P</b> = Pin</td> <td><b>G</b> = Pin</td> </tr> <tr> <td><b>B</b> = Socket Connector</td> <td><b>S</b> = Socket</td> <td><b>H</b> = Socket</td> </tr> </table> <p>Connectors with contacts are supplied with crimp contacts. Contacts not installed. For coax contacts, order contacts separately and order connector without contacts.</p>	<b>Connector supplied without Crimp contacts</b>	<b>Connector supplied with contacts</b>	<b>Connector Supplied with 30 AWG Crimp Barrel</b>	<b>A</b> = Pin Connector	<b>P</b> = Pin	<b>G</b> = Pin	<b>B</b> = Socket Connector	<b>S</b> = Socket	<b>H</b> = Socket
<b>Connector supplied without Crimp contacts</b>	<b>Connector supplied with contacts</b>	<b>Connector Supplied with 30 AWG Crimp Barrel</b>								
<b>A</b> = Pin Connector	<b>P</b> = Pin	<b>G</b> = Pin								
<b>B</b> = Socket Connector	<b>S</b> = Socket	<b>H</b> = Socket								
<b>Polarization (See Table I)</b>	<b>Omit</b> = Single Key (non polarized) <b>A</b> = Normal <b>B</b> = Pos. B <b>C</b> = Pos. C <b>D</b> = Pos. D <b>E</b> = Pos. E <b>F</b> = Pos. F									
<b>Lanyard Length</b>	<b>1</b> = 1 inch; Lanyard Length In Inches $\pm$ .500									
<b>Band Adapter</b>	Omit for none; <b>B</b> = Band Adapter 440MS134									

### NOTES

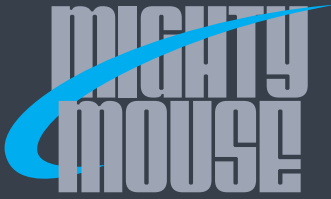
1. Contacts crimp type, and are used in a rear release retention system
2. Crimp barrel accommodates 22, 24, 26 and 28 gage wire
3. Crimp tool data:
  - Crimp frame: M22520/2-01
  - Positioner for use with crimp frame: Glenair part number 809-005
  - Insertion/extraction tool: Glenair part number 809-088
4. This connector, plug mates with all push/pull high density receptacle connectors with same polarization and opposite contact gender 804-0044, 804-004, 804-005, 804-006, and 804-114
5. Connector releases at 0° to 15°. 15° release force will vary

Table I: Key Positions



Position	A°	B°
<b>A</b>	150°	210°
<b>B</b>	75°	210°
<b>C</b>	95°	230°
<b>D</b>	140°	275°
<b>E</b>	75°	275°
<b>F</b>	95°	210°

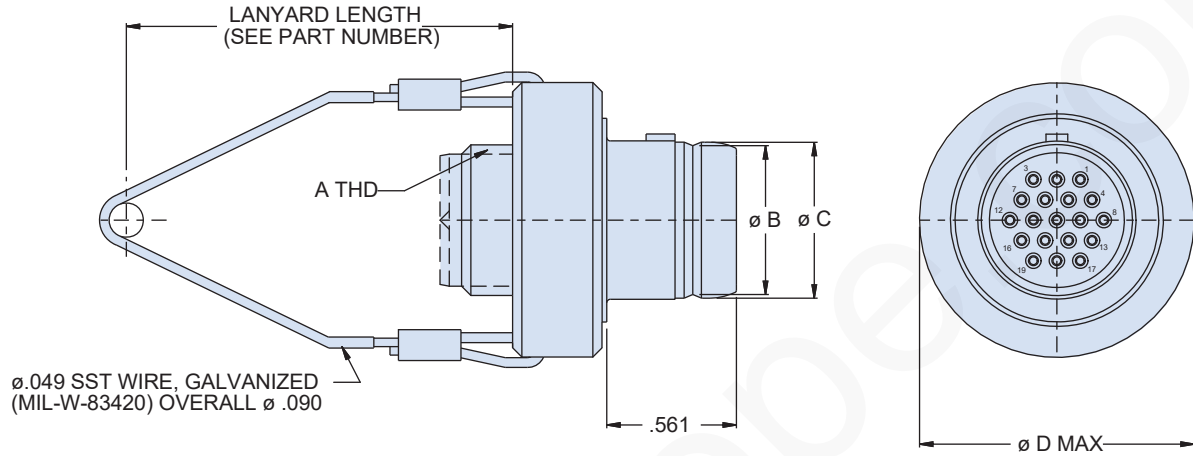
SERIES 804 QDC PUSH-PULL



SERIES 804 QDC PUSH-PULL  
Mighty Mouse Connectors and Cables



Lanyard-Release Crimp Contact Plug with  
Accessory Threads

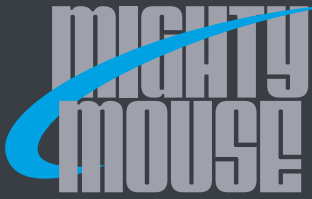


Dimensions				
Shell Size	A Thread	ø B	ø C	ø D MAX
5	.250-32 UNEF	.219 (5.56)	.250 (6.35)	.812 (20.62)
6	.3125-32 UNEF	.282 (7.16)	.313 (7.95)	.875 (22.23)
7	.4375-28 UNEF	.351 (8.92)	.383 (9.73)	.938 (23.83)
8	.5000-28 UNEF	.398 (10.11)	.429 (10.90)	1.000 (25.40)
9	.5625-24 UNEF	.454 (11.53)	.486 (12.34)	1.062 (26.97)
10	.6250-24 UNEF	.529 (13.44)	.563 (14.30)	1.125 (28.58)
11	.6875-24 UNEF	.587 (14.91)	.618 (15.70)	1.188 (30.18)
12	.6875-24 UNEF	.646 (16.41)	.676 (17.17)	1.250 (31.75)
14	.9375-20 UNEF	.768 (19.51)	.800 (20.32)	1.375 (34.92)

Material and Finish

- Shell: aluminum alloy or CRES / see how to order table
- Insulator: high grade rigid dielectric / N.A.
- Interfacial seal, grommet seal: fluorosilicone / N.A.
- Contact: copper alloy / gold plate per ASTM B 488, Type II, Code C, Class 1.25, over suitable underplate

SERIES 804 QDC PUSH-PULL



# SERIES 804 QDC PUSH-PULL Mighty Mouse Connectors and Cables



## Panel Mount Plugs with Crimp Contacts and Integral Shield Termination Platform



### Panel Mount Plugs

Feature push/pull action for quick mating and demating of connectors. These small form factor connectors save panel space and come with removable, rear release crimp contacts. Integral band platform allows for termination of cable shield braid using Band-Master ATS® band. Mates with all push/pull high density receptacle connectors with same polarization and opposite contact gender. Fluorosilicone interfacial seal, O-ring and grommet seals provide IP67 sealing in the mated condition. Red stripe indicator aides in alignment during mating.

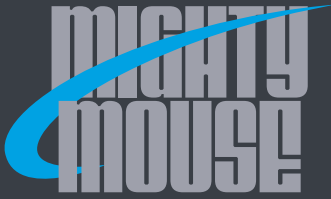
How To Order						
<b>Sample Part Number</b>	<b>804-116</b>	<b>-07</b>	<b>NF</b>	<b>10-26</b>	<b>E</b>	<b>A</b>
<b>Series</b>	804-116 = Panel Mount Plug, Crimp Contacts and Banding Porch					
<b>Shell Style (See Table I)</b>	<b>00</b> = Jam-Nut, Front Panel Mount <b>02</b> = Flange Mount <b>07</b> = Jam-Nut, Rear Panel Mount					
<b>Shell Material and Finish</b>	<b>C</b> = Aluminum / Black Anodize (Non-Conductive) <b>M</b> = Aluminum / Electroless Nickel <b>MT</b> = Aluminum / Nickel-PTFE <b>NF</b> = Aluminum / Cadmium with Olive Drab Chromate <b>ZNU</b> = Aluminum / Zinc-Nickel with Black Chromate <b>Z1</b> = Stainless Steel / Passivated					
<b>Shell Size - Insert Arrangement</b>	See Contact Arrangements Page H-6					
<b>Contact Type</b>	<b>Connector supplied without Crimp contacts</b> <b>A</b> = Pin Connector <b>B</b> = Socket Connector	<b>Connector supplied with contacts</b> <b>P</b> = Pin <b>S</b> = Socket	<b>Connector Supplied with 30 AWG Crimp Barrel</b> <b>G</b> = Pin <b>H</b> = Socket	Connectors with contacts are supplied with crimp contacts. Contacts not installed. For Coax contacts, order contacts separately and order connector without contacts.		
<b>Polarization (See Table II)</b>	<b>Omit</b> = Single Key (non polarized) <b>A</b> = Normal <b>B</b> = Pos. B <b>C</b> = Pos. C <b>D</b> = Pos. D <b>E</b> = Pos. E <b>F</b> = Pos. F					

Table I: Shell Style		
<b>-07</b> Jam-Nut, Rear Panel Mount	<b>-02</b> Flange Mount	<b>-00</b> Jam-Nut, Front Panel Mount

Table II: Key Positions			
	<b>Pos.</b>	<b>A°</b>	<b>B°</b>
	A	150°	210°
	B	75°	210°
	C	95°	230°
	D	140°	275°
	E	75°	275°
	F	95°	210°

### NOTES

- Contacts are crimp type, and used in a rear release retention system
- Plug mates with all push/pull high density receptacle connectors with same polarization and opposite contact gender
- See page H-9 for recommended panel cut-outs

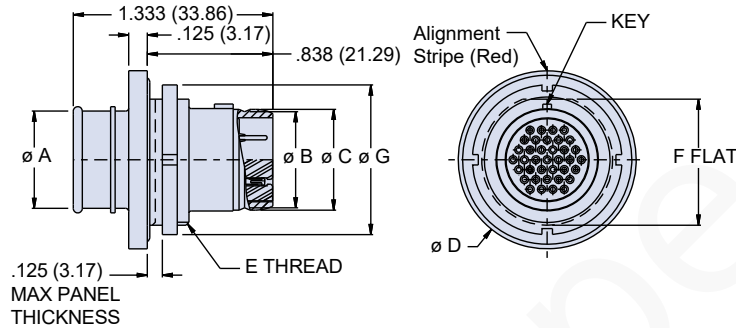


# SERIES 804 QDC PUSH-PULL Mighty Mouse Connectors and Cables



## Panel Mount Plugs with Crimp Contacts and Cable Shield Termination Platform

### JAM-NUT, REAR PANEL MOUNT PLUG - STYLE 07

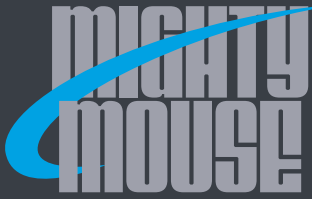


Dimensions							
Shell Size	Ø A	Ø B	Ø C	Ø D	E Thread	F Flat	Ø G
5	0.245 (6.22)	0.219 (5.56)	0.250 (6.35)	0.730 (18.54)	.4375-32 UN-2A	0.415 [0.02]	0.562 [0.02]
6	0.290 (7.37)	0.282 (7.16)	0.313 (7.95)	0.730 (18.54)	.5000-32 UN-2A	0.467 [0.02]	0.625 [0.02]
7	0.390 (9.91)	0.351 (8.92)	0.382 (9.70)	0.910 (23.11)	.6250-28 UN-2A	0.594 [0.02]	0.750 [0.03]
8	0.445 (11.30)	0.398 (10.11)	0.429 (10.90)	0.955 (24.26)	.6250-28 UN-2A	0.594 [0.02]	0.750 [0.03]
9	0.500 (12.70)	0.454 (11.53)	0.486 (12.34)	1.000 (25.40)	.6875-28 UN-2A	0.655 [0.03]	0.812 [0.03]
10	0.560 (14.22)	0.529 (13.44)	0.562 (14.27)	1.085 [0.04]	.7500-28 UN-2A	0.721 [0.03]	0.875 [0.03]
12	0.650 (16.51)	0.646 (16.41)	0.677 (17.20)	1.180 [0.05]	.8750-28 UN-2A	0.843 [0.03]	1.000 [0.04]
14	0.805 (20.45)	0.768 (19.51)	0.800 (20.32)	1.325 [0.05]	1.0000-28 UN-2A	0.968 [0.04]	1.125 [0.04]

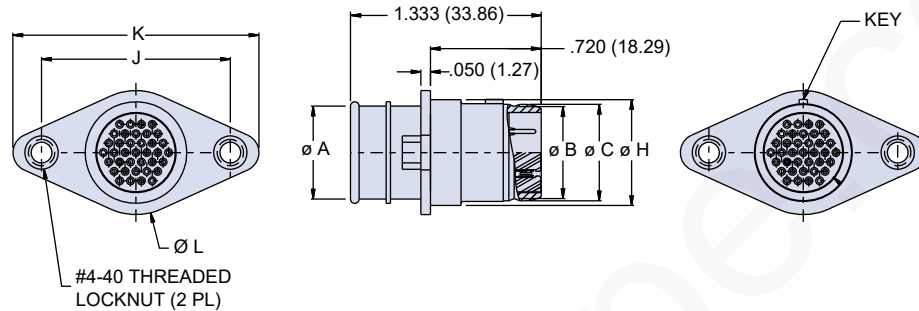
#### Material and Finish

- Shell, jam-nut: aluminum alloy or CRES/ see how to order table
- Insulator: high grade rigid dielectric / N.A.
- Interfacial seal, O-ring, grommet: fluorosilicone / N.A.
- Contact: copper alloy / gold plate per ASTM B 488, Type II, Code C, Class 1.25, over suitable underplate
- Potting compound: epoxy / N.A.

SERIES 804 QDC PUSH-PULL



**FLANGE MOUNT PLUG - STYLE 02**

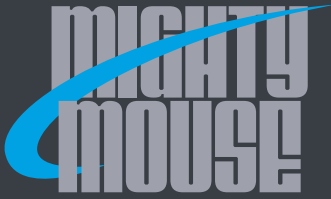


Dimensions							
Shell Size	Ø A	Ø B	Ø C	H	J	K	Ø L
5	0.245 (6.22)	0.219 (5.56)	0.250 (6.35)	0.320 (0.01)	0.755 (0.03)	1.055 (0.04)	0.420 (0.02)
6	0.290 (7.37)	0.282 (7.16)	0.313 (7.95)	0.385 (0.02)	0.820 (0.03)	1.120 (0.04)	0.445 (0.02)
7	0.390 (9.91)	0.351 (8.92)	0.382 (9.70)	0.450 (0.02)	0.885 (0.03)	1.185 (0.05)	0.550 (0.02)
8	0.445 (11.30)	0.398 (10.11)	0.429 (10.90)	0.495 (0.02)	0.930 (0.04)	1.230 (0.05)	0.593 (0.02)
9	0.500 (12.70)	0.454 (11.53)	0.486 (12.34)	0.555 (0.02)	0.990 (0.04)	1.290 (0.05)	0.651 (0.03)
10	0.560 (14.22)	0.529 (13.44)	0.562 (14.27)	0.625 (0.02)	1.060 (0.04)	1.360 (0.05)	0.741 (0.03)
12	0.650 (16.51)	0.646 (16.41)	0.677 (17.20)	0.750 (0.03)	1.185 (0.05)	1.485 (0.06)	0.850 (0.03)
14	0.805 (20.45)	0.768 (19.51)	0.800 (20.32)	0.865 (0.03)	1.300 (0.05)	1.600 (0.06)	0.975 (0.04)

**Material and Finish**

- Shell: aluminum alloy or CRES / see how to order table
- Insulator: high grade rigid dielectric / N.A.
- Interfacial seal, O-ring, grommet: fluorosilicone / N.A.
- Contact: copper alloy / gold plate per ASTM B 488, Type II, Code C, Class 1.25, over suitable underplate
- Potting compound: epoxy / N.A.

SERIES 804 QDC PUSH-PULL

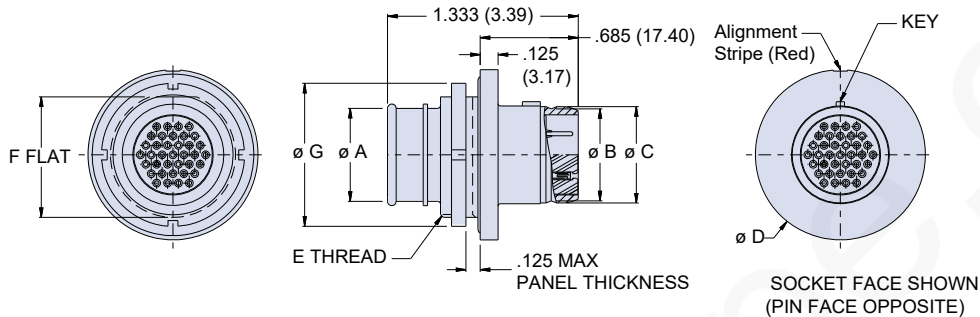


# SERIES 804 QDC PUSH-PULL Mighty Mouse Connectors and Cables



## Panel Mount Plugs with Crimp Contacts and Cable Shield Termination Platform

### JAM-NUT, FRONT PANEL MOUNT, PLUG - STYLE 00



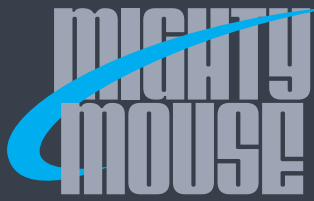
Dimensions								
Shell Size	Ø A	Ø B	Ø C	Ø D	E Thread	F Flat	Ø G	H
5	0.245 (6.22)	0.219 (5.56)	0.250 (6.35)	0.730 (18.54)	.4375-32 UN-2A	0.415 (0.02)	0.562 (0.02)	0.320 (0.01)
6	0.290 (7.37)	0.282 (7.16)	0.313 (7.95)	0.730 (18.54)	.5000-32 UN-2A	0.467 (0.02)	0.625 (0.02)	0.385 (0.02)
7	0.390 (9.91)	0.351 (8.92)	0.382 (9.70)	0.910 (23.11)	.6250-28 UN-2A	0.594 (0.02)	0.750 (0.03)	0.450 (0.02)
8	0.445 (11.30)	0.398 (10.11)	0.429 (10.90)	0.955 (24.26)	.6250-28 UN-2A	0.594 (0.02)	0.750 (0.03)	0.495 (0.02)
9	0.500 (12.70)	0.454 (11.53)	0.486 (12.34)	1.000 (25.40)	.6875-28 UN-2A	0.655 (0.03)	0.812 (0.03)	0.555 (0.02)
10	0.560 (14.22)	0.529 (13.44)	0.562 (14.27)	1.085 [0.04]	.7500-28 UN-2A	0.721 (0.03)	0.875 (0.03)	0.625 (0.02)
12	0.650 (16.51)	0.646 (16.41)	0.677 (17.20)	1.180 [0.05]	.8750-28 UN-2A	0.843 (0.03)	1.000 (0.04)	0.750 (0.03)
14	0.805 (20.45)	0.768 (19.51)	0.800 (20.32)	1.325 [0.05]	1.0000-28 UN-2A	0.968 (0.04)	1.125 (0.04)	0.865 (0.03)

Jam-Nut Front Panel Mount Cutout Dimensions		
Shell Size	N Flat	Ø M
5	.482 (12.24)	.510 (12.95)
	.478 (12.14)	
6	.542 (13.77)	.575 (14.60)
	.538 (13.67)	
7	.676 (17.17)	.698 (17.73)
	.671 (17.04)	
8	.676 (17.17)	.698 (17.73)
	.671 (17.04)	
9	.732 (18.59)	.760 (19.30)
	.728 (18.49)	
10	.801 (20.35)	.822 (20.88)
	.796 (20.22)	
12	.982 (24.94)	1.010 (25.65)
	.978 (24.84)	
14	1.032 (26.21)	1.075 (27.30)
	1.028 (26.11)	

#### Material and Finish

- Shell: aluminum alloy or CRES / see how to order table
- Insulator: high grade rigid dielectric / N.A.
- Interfacial seal, O-ring, grommet: fluorosilicone / N.A.
- Contact: copper alloy / gold plate per ASTM B 488, Type II, Code C, Class 1.25, over suitable underplate
- Potting compound: epoxy / N.A.

SERIES 804 QDC PUSH-PULL



# SERIES 804 QDC PUSH-PULL

## Mighty Mouse Connectors and Cables



### PC Tail or Solder Cup Panel Mount Plugs



#### Environmental, PCB Plug

804-009 connectors feature low-profile shells for minimum protrusion inside enclosures and integral board standoffs. Contacts are non-removable. Specify 804-009 connectors for applications where open face water immersion is not a requirement. IP67 in the mated condition.

#### Water Tight PCB Plug

804-021 connectors are identical to 800-012, but are specially sealed ("MOD-518") and 100% tested to maintain a helium leak rate of less than  $1 \times 10^{-4}$  cc/second at one atmosphere pressure differential. Connectors meet MIL-STD-810 Method 512G immersion requirements in unmated/open face condition.

#### How To Order

Sample Part Number	804-009	-07	NF	10-26	E	A
<b>Series</b>	<b>804-009</b> = Panel Mount Plug, Standard Potting <b>804-021</b> = Panel Mount Plug, Resilient Silicone Potting for Watertight Seal from -40° to +70°C (1 ATM Pressure Differential)					
<b>Shell Style (See Table I)</b>	<b>-00</b> = Jam-Nut, Front Panel Mount <b>-02</b> = Flange Mount <b>-07</b> = Jam-Nut, Rear Panel Mount					
<b>Shell Material and Finish</b>	<b>C</b> = Aluminum / Black Anodize (Non-Conductive) <b>M</b> = Aluminum / Electroless Nickel <b>MT</b> = Aluminum / Nickel-PTFE <b>NF</b> = Aluminum / Cadmium with Olive Drab Chromate <b>ZNU</b> = Aluminum / Zinc-Nickel with Black Chromate <b>Z1</b> = Stainless Steel / Passivated					
<b>Shell Size - Insert Arrangement</b>	See Contact Arrangements Page H-6					
<b>Contact Type</b>	<b>P</b> = Pin, PC Tail <b>E</b> = Pin, Solder Cup <b>S</b> = Socket, PC Tail <b>F</b> = Socket, Solder Cup Contacts are pre-installed and non-removable.					
<b>Polarization (See Table II)</b>	<b>Omit</b> = Single Master Key <b>A</b> = Normal <b>B</b> = Pos. B <b>C</b> = Pos. C <b>D</b> = Pos. D <b>E</b> = Pos. E <b>F</b> = Pos. F					

Table I: Shell Style

<b>-00</b> Jam-Nut, Front Panel Mount	<b>-07</b> Jam-Nut, Rear Panel Mount	<b>-02</b> Flange Mount

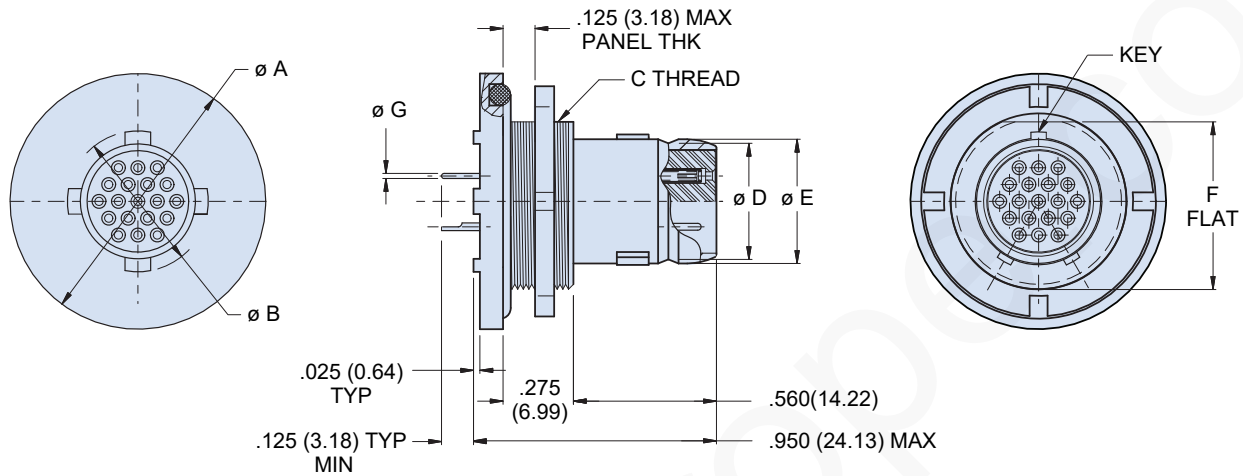
Table II: Key Positions

	Pos.	A°	B°
	A	150°	210°
	B	75°	210°
	C	95°	230°
	D	140°	275°
	E	75°	275°
F	95°	210°	

#### NOTES

1. Contacts are nonremovable and connector is back potted
2. Connector, plug mates with all push/pull high density receptacle connectors with same polarization and opposite contact gender
3. See page H-9 for recommended panel cut-outs
4. Ø.126/.130 thru-holes replace locknuts for SST shells

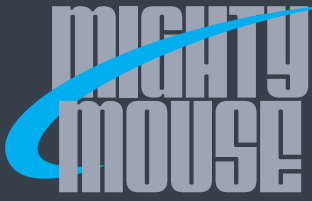
**JAM-NUT, REAR PANEL MOUNT PLUG - SHELL STYLE 07**



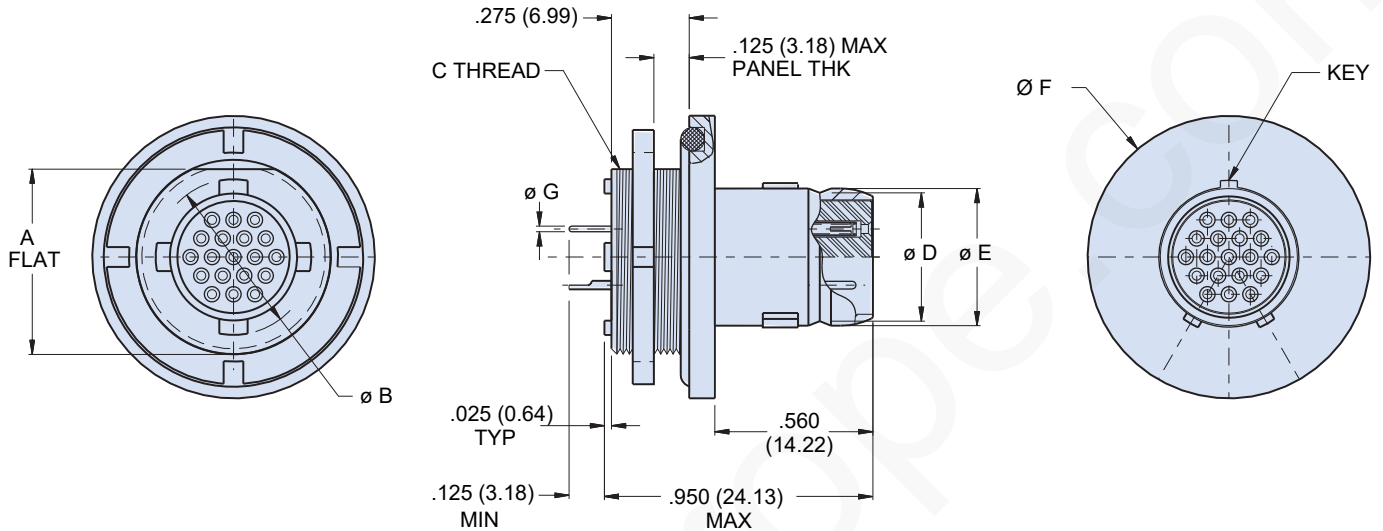
Dimensions							
Shell Size	Ø A	Ø B	C Threads	Ø D	Ø E	F Flat	Ø G Tail Dia.
5	.790 (20.07)	.244 (6.20)	.4375-32 UN-2A	.219 (5.56)	.250 (6.35)	.415 (10.54)	#23 .018/.022 (0.46/0.56)
6	.830 (21.08)	.330 (8.38)	.5000-32 UN-2A	.282 (7.16)	.313 (7.95)	.467 (11.86)	
7	.910 (23.11)	.432 (10.97)	.6250-28 UN-2A	.351 (8.92)	.383 (9.73)	.594 (15.09)	
8	.955 (24.26)	.493 (12.52)	.6250-28 UN-2A	.398 (10.11)	.429 (10.90)	.594 (15.09)	#20 .024/.028 (0.61/0.71)
9	1.000 (25.40)	.551 (14.00)	.6875-28 UN-2A	.454 (11.53)	.486 (12.34)	.655 (16.64)	#16 .060/.064 (1.52/1.63)
10	1.085 (27.56)	.620 (15.75)	.7500-28 UN-2A	.529 (13.44)	.563 (14.30)	.721 (18.31)	
11	1.135 (28.83)	.662 (16.81)	.8125-28 UN-2A	.587 (14.91)	.618 (15.70)	.790 (20.07)	
12	1.180 (29.97)	.703 (17.86)	.8750-28 UN-2A	.646 (16.41)	.676 (17.17)	.843 (21.41)	#12 .092/.096 (2.34/2.44)
14	1.325 (33.65)	.863 (21.92)	1.0000-28 UN-2A	.768 (19.51)	.800 (20.32)	.968 (24.59)	

**Material and Finish**

- Shell, jam-nut: aluminum alloy or CRES / see how to order table
- Insulator: high grade rigid dielectric / N.A.
- Interfacial seal, O-ring: fluorosilicone / N.A.
- Contact: copper alloy / gold plate per ASTM B 488, Type II, Code C, Class 1.25, over suitable underplate
- Potting compound: epoxy / N.A.



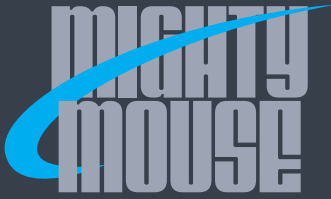
**JAM-NUT, FRONT PANEL MOUNT PLUG - STYLE 00**



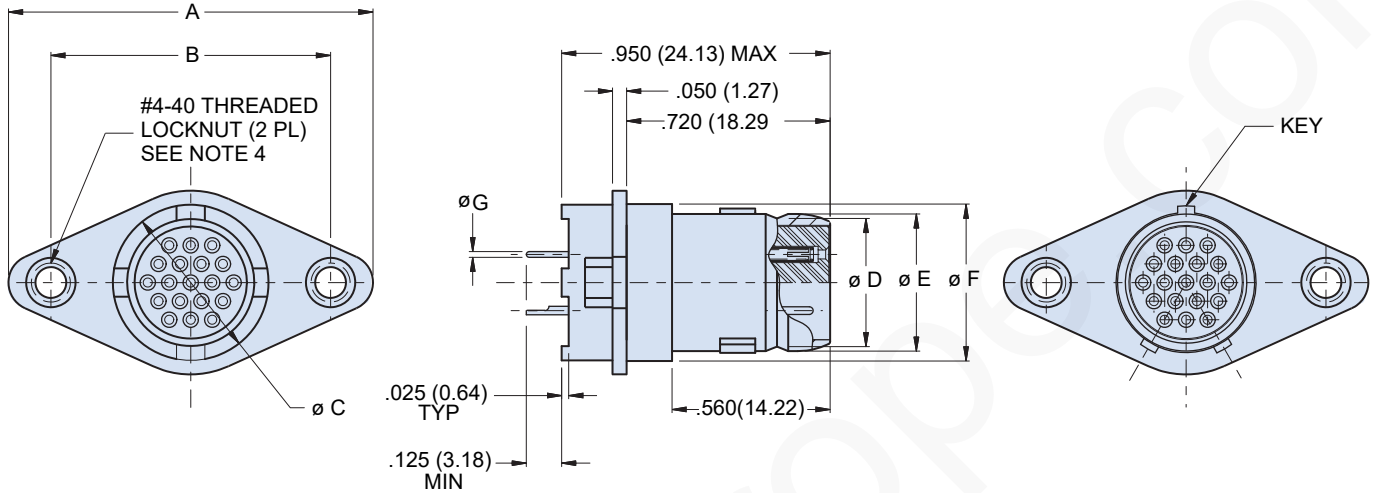
Dimensions							
Shell Size	A Flat	Ø B	C Threads	Ø D	Ø E	Ø F	Ø G Tail Dia.
5	.415 (10.54)	.244 (6.20)	.4375-32 UN-2A	.219 (5.56)	.250 (6.35)	.790 (20.07)	#23 .018/.022 (0.46/0.56)
6	.467 (11.86)	.330 (8.38)	.5000-32 UN-2A	.282 (7.16)	.313 (7.95)	.830 (21.08)	
7	.594 (15.09)	.432 (10.97)	.6250-28 UN-2A	.351 (8.92)	.383 (9.73)	.910 (23.11)	
8	.594 (15.09)	.493 (12.52)	.6250-28 UN-2A	.398 (10.11)	.429 (10.90)	.955 (24.26)	#20 .024/.028 (0.61/0.71)
9	.655 (16.64)	.551 (14.00)	.6875-28 UN-2A	.454 (11.53)	.486 (12.34)	1.000 (25.40)	
10	.721 (18.31)	.620 (15.75)	.7500-28 UN-2A	.529 (13.44)	.563 (14.30)	1.085 (27.56)	#16 .060/.064 (1.52/1.63)
11	.790 (20.07)	.662 (16.81)	.8125-28 UN-2A	.587 (14.91)	.618 (15.70)	1.135 (28.83)	
12	.843 (21.41)	.703 (17.86)	.8750-28 UN-2A	.646 (16.41)	.676 (17.17)	1.180 (29.97)	#12 .092/.096 (2.34/2.44)
14	.968 (24.59)	.863 (21.92)	1.0000-28 UN-2A	.768 (19.51)	.800 (20.32)	1.325 (33.65)	

**Material and Finish**

- Shell: aluminum alloy or CRES/ see how to order table
- Insulator: high grade rigid dielectric /N.A.
- Interfacial seal, O-ring: fluorosilicone /N.A.
- Contact: copper alloy / gold plate per ASTM B 488, Type II, Code C, Class 1.25, over suitable underplate
- Potting compound: epoxy /N.A.



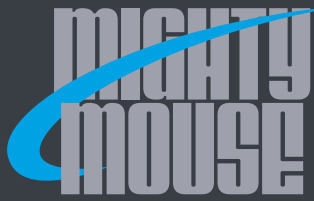
**FLANGE MOUNT PLUG - STYLE 02**



Dimensions							
Shell Size	A	B ±.005 (.02)	Ø C	Ø D	Ø E	Ø F	Ø G Tail Dia.
5	1.055 (26.80)	.755 (19.18)	.244 (6.20)	.219 (5.56)	.250 (6.35)	.320 (8.13)	#23 .018/.022 (0.46/0.56)
6	1.120 (28.45)	.820 (20.83)	.330 (8.38)	.282 (7.16)	.313 (7.95)	.385 (9.78)	
7	1.185 (30.10)	.885 (22.48)	.432 (10.97)	.351 (8.92)	.383 (9.73)	.450 (11.43)	
8	1.230 (31.24)	.930 (23.62)	.493 (12.52)	.398 (10.11)	.429 (10.90)	.495 (12.57)	#20 .024/.028 (0.61/0.71)
9	1.290 (32.77)	.990 (25.15)	.551 (14.00)	.454 (11.53)	.486 (12.34)	.555 (14.10)	
10	1.360 (34.54)	1.060 (26.92)	.620 (15.75)	.529 (13.44)	.563 (14.30)	.625 (15.88)	#16 .060/.064 (1.52/1.63)
11	1.420 (36.07)	1.120 (28.45)	.662 (16.81)	.587 (14.91)	.618 (15.70)	.690 (17.53)	
12	1.485 (37.72)	1.185 (30.10)	.703 (17.86)	.646 (16.41)	.676 (17.17)	.750 (19.05)	#12 .092/.096 (2.34/2.44)
14	1.600 (40.64)	1.300 (33.02)	.863 (21.92)	.768 (19.51)	.800 (20.32)	.865 (21.97)	

**Material and Finish**

- Shell: aluminum alloy or CRES / see how to order table
- Insulator: high grade rigid dielectric / N.A.
- Interfacial seal, O-ring: fluorosilicone / N.A.
- Contact: copper alloy / gold plate per ASTM B 488, Type II, Code C, Class 1.25, over suitable underplate
- Potting compound: epoxy / N.A.



# SERIES 804 QDC PUSH-PULL

## Mighty Mouse Connectors and Cables



### Receptacles with Crimp Contacts, Integral Shield Termination Platform or Accessory Threads



#### Series 804 Panel Mount and Inline Receptacles

Feature integral band platform or accessory thread. Choose band platform for direct attachment of cable shield and boot, or overmold directly onto the band platform. Select accessory thread for attachment of backshells. Three shell styles including front or rear panel mount jam-nut and in-line cable receptacles. Fluorosilicone interfacial seal, O-ring and grommet provide IP67 sealing mated. Gold-plated spring provides secure mechanical retention and low shell-to-shell resistance for excellent EMI shielding. Crimp removable contacts are copper alloy and gold plated.

How To Order										
<b>Sample Part Number</b>	<b>804-003</b> <b>-01</b> <b>M</b> <b>7-10</b> <b>P</b>									
<b>Series (See Table I)</b>	<b>804-003</b> = Receptacle with Banding Platform <b>804-004</b> = Receptacle with Accessory Thread									
<b>Shell Style (See Table II)</b>	<b>-00</b> = Front Panel Mount Jam-Nut <b>-01</b> = In-Line <b>-07</b> = Rear Panel Mount Jam-Nut									
<b>Shell Material and Finish</b>	<b>C</b> = Aluminum / Black Anodize (Non-Conductive) <b>M</b> = Aluminum / Electroless Nickel <b>MT</b> = Aluminum / Nickel-PTFE <b>NF</b> = Aluminum / Cadmium with Olive Drab Chromate <b>ZNU</b> = Aluminum / Zinc-Nickel with Black Chromate <b>Z1</b> = Stainless Steel / Passivated									
<b>Shell Size - Insert Arrangement</b>	See Contact Arrangements Page H-6									
<b>Contact Type</b>	<table border="0"> <tr> <td><b>Connector supplied without contacts</b></td> <td><b>Connector supplied with contacts</b></td> <td><b>Connector Supplied with 30 AWG Crimp Barrel</b></td> </tr> <tr> <td><b>A</b> = Pin, Crimp</td> <td><b>P</b> = Pin Connector</td> <td><b>G</b> = Pin, Crimp</td> </tr> <tr> <td><b>B</b> = Socket, Crimp</td> <td><b>S</b> = Socket Connector</td> <td><b>H</b> = Socket, Crimp</td> </tr> </table> <p>Connectors with contacts are supplied with crimp contacts. Contacts not installed. For Coax contacts, order contacts separately and order connector without contacts.</p>	<b>Connector supplied without contacts</b>	<b>Connector supplied with contacts</b>	<b>Connector Supplied with 30 AWG Crimp Barrel</b>	<b>A</b> = Pin, Crimp	<b>P</b> = Pin Connector	<b>G</b> = Pin, Crimp	<b>B</b> = Socket, Crimp	<b>S</b> = Socket Connector	<b>H</b> = Socket, Crimp
<b>Connector supplied without contacts</b>	<b>Connector supplied with contacts</b>	<b>Connector Supplied with 30 AWG Crimp Barrel</b>								
<b>A</b> = Pin, Crimp	<b>P</b> = Pin Connector	<b>G</b> = Pin, Crimp								
<b>B</b> = Socket, Crimp	<b>S</b> = Socket Connector	<b>H</b> = Socket, Crimp								
<b>Polarization (See Table III)</b>	<b>Omit</b> = Single Master Key <b>A</b> = Normal <b>B</b> = Pos. B <b>C</b> = Pos. C <b>D</b> = Pos. D <b>E</b> = Pos. E <b>F</b> = Pos. F									

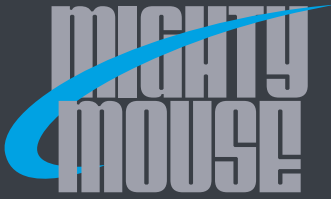
Table I: Series	
<b>804-003</b> Receptacle with Banding Platform	<b>804-004</b> Receptacle with Accessory Thread

Table II: Shell Style		
<b>-00</b> Jam-Nut for Front Panel Mounting	<b>-01</b> In-Line for Free-Hanging Cable	<b>-07</b> Jam-Nut for Rear Panel Mounting

Table III: Keyway Positions		
Pos.	A°	B°
A	150°	210°
B	75°	210°
C	95°	230°
D	140°	275°
E	75°	275°
F	95°	210°

#### NOTES

1. Contacts are crimp type, and used in a rear release retention system
2. Receptacle connector mates with all push/pull high density plug connectors with same polarization and opposite contact gender
3. Grommet protrudes for power/combo arrangements
4. See page H-9 for recommended panel cut-outs

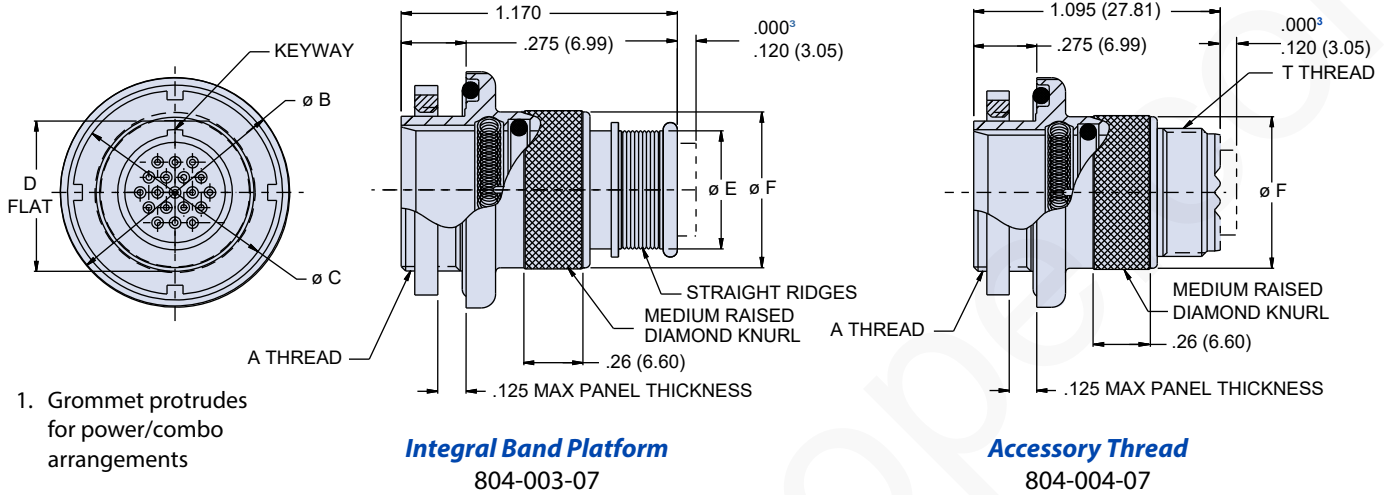


SERIES 804 QDC PUSH-PULL  
Mighty Mouse Connectors and Cables



RPM Jam-Nut with Crimp Contacts, Integral Shield Termination Platform or Accessory Threads

**JAM-NUT, REAR PANEL MOUNT RECEPTACLE - SHELL STYLE 07**

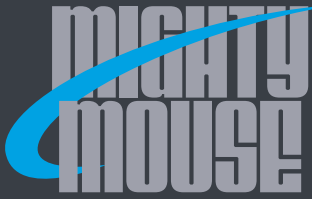


Dimensions							
Shell Size	A Thread	Ø B	Ø C	D Flat	Ø E	Ø F	T Threads
5	.4375-32 UN-2A	.760 (19.30)	.562 (14.27)	.415 (10.54)	.246 (6.25)	.450 (11.43)	.2500-32 UNEF-2A
6	.5000-32 UN-2A	.825 (20.96)	.625 (15.88)	.467 (11.86)	.286 (7.26)	.480 (12.19)	.3125-32 UNEF-2A
7	.6250-28 UN-2A	.900 (22.86)	.750 (19.05)	.594 (15.09)	.390 (9.91)	.580 (14.73)	.4375-28 UNEF-2A
8	.6250-28 UN-2A	.945 (24.00)	.750 (19.05)	.594 (15.09)	.442 (11.23)	.603 (15.32)	.5000-28 UNEF-2A
9	.6875-28 UN-2A	1.000 (25.40)	.812 (20.62)	.655 (16.64)	.500 (12.70)	.690 (17.53)	.5625-24 UNEF-2A
10	.7500-28 UN-2A	1.075 (27.30)	.875 (22.23)	.721 (18.31)	.564 (14.33)	.735 (18.67)	.6250-24 UNEF-2A
11	.8125-28 UN-2A	1.135 (28.83)	.938 (23.83)	.790 (20.02)	.608 (15.44)	.810 (20.57)	.6875-24 UNEF-2A
12	.8750-28 UN-2A	1.190 (30.23)	1.000 (25.40)	.843 (21.41)	.650 (16.51)	.880 (22.35)	.6875-24 UNEF-2A
14	1.0000-28 UN-2A	1.312 (33.65)	1.125 (28.58)	.968 (24.59)	.805 (20.45)	.973 (24.71)	.9375-20 UNEF-2A

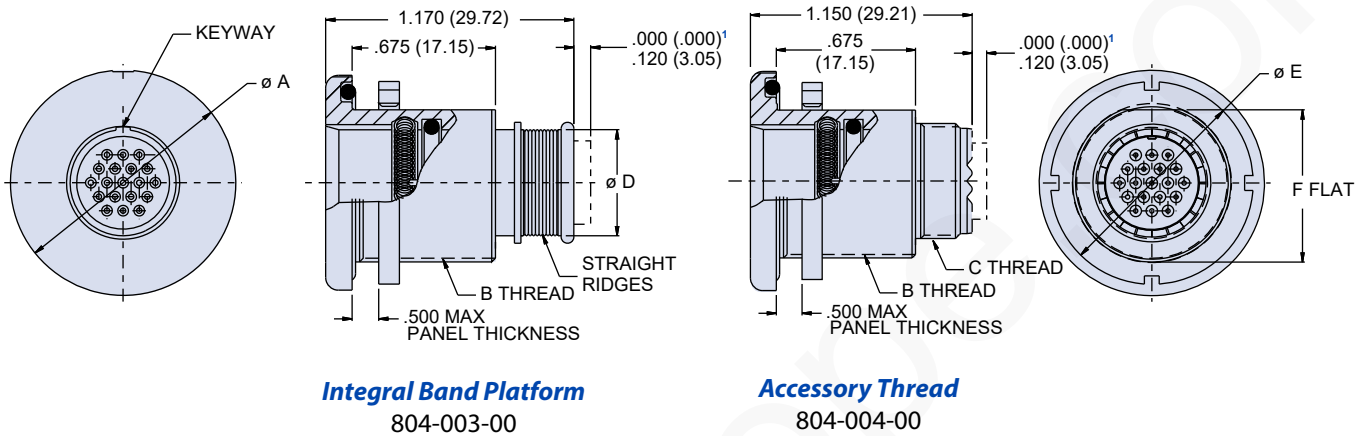
Material and Finish

- Shell, jam-nut: aluminum alloy or CRES / see how to order table
- Insulator: high grade rigid dielectric
- Interfacial seal, O-ring, grommet: fluorosilicone / N.A.
- Contact: copper alloy / gold plate per ASTM B 488, Type II, Code C, Class 1.25, over suitable underplate
- Spring: CRES / gold plated

SERIES 804 QDC PUSH-PULL



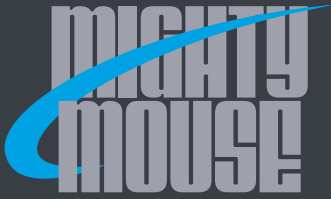
**JAM-NUT, FRONT PANEL MOUNT RECEPTACLE - SHELL STYLE 00**



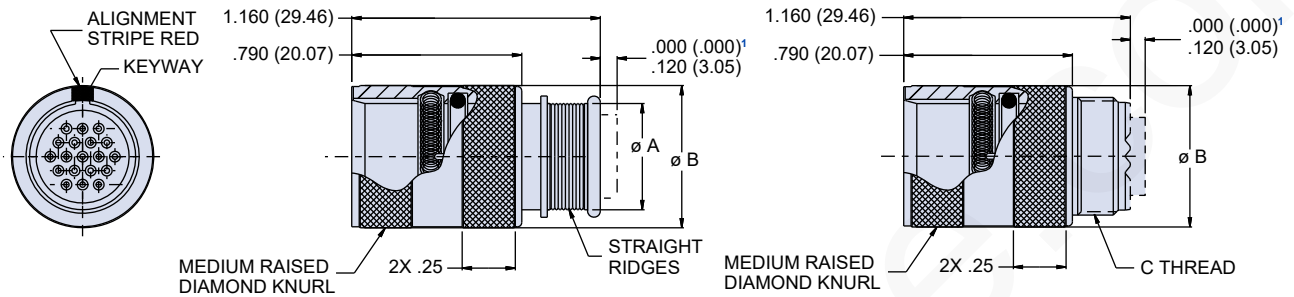
Dimensions						
Shell Size	Ø A	B Threads	C Threads	Ø D	Ø E	F Flat
5	.830 (21.08)	.5000-32 UN-2A	.2500-32 UNEF-2A	.246 (6.25)	.625 (15.88)	.470 (11.94)
6	.885 (22.48)	.5625-32 UN-2A	.3125-32 UNEF-2A	.286 (7.26)	.688 (17.48)	.530 (13.46)
7	.995 (25.27)	.6875-28 UN-2A	.4375-28 UNEF-2A	.390 (9.91)	.812 (20.62)	.663 (16.84)
8	.995 (25.27)	.6875-28 UN-2A	.5000-28 UNEF-2A	.442 (11.23)	.812 (20.62)	.663 (16.84)
9	1.065 (27.05)	.7500-28 UN-2A	.5625-24 UNEF-2A	.500 (12.70)	.875 (22.23)	.715 (18.16)
10	1.140 (28.96)	.8125-28 UN-2A	.6250-24 UNEF-2A	.564 (14.33)	.938 (23.83)	.790 (20.07)
11	1.190 (30.23)	.8750-28 UN-2A	.6875-24 UNEF-2A	.608 (15.44)	1.000 (25.40)	.843 (21.41)
12	1.340 (34.04)	1.0000-28 UN-2A	.6875-24 UNEF-2A	.650 (16.51)	1.125 (28.58)	.972 (24.69)
14	1.390 (35.31)	1.0620-20 UN-2A	.9375-20 UNEF-2A	.805 (20.45)	1.162 (29.51)	1.022 (25.96)

**Material and Finish**

- Shell: aluminum alloy or CRES / see how to order table
- Insulator: high grade rigid dielectric
- Interfacial seal, O-ring, grommet: fluorosilicone / N.A.
- Contact: copper alloy / gold plate per ASTM B 488, Type II, Code C, Class 1.25, over suitable underplate
- Spring: CRES / gold plated



**CABLE RECEPTACLE - SHELL STYLE 01**



**Integral Band Platform**  
804-003-01

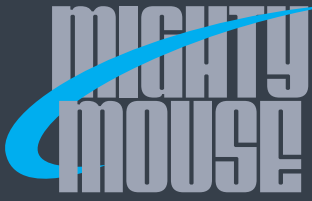
**Accessory Thread**  
804-004-01

Dimensions			
Shell Size	Ø A	Ø B	C Threads
5	.246 (6.25)	.450 (11.43)	.2500-32 UNEF-2A
6	.286 (7.26)	.480 (12.19)	.3125-32 UNEF-2A
7	.390 (9.91)	.580 (14.73)	.4375-28 UNEF-2A
8	.442 (11.23)	.603 (15.32)	.5000-28 UNEF-2A
9	.500 (12.70)	.690 (17.53)	.5625-24 UNEF-2A
10	.564 (14.33)	.735 (18.67)	.6250-24 UNEF-2A
11	.608 (15.44)	.810 (20.57)	.6875-24 UNEF-2A
12	.650 (16.51)	.880 (22.35)	.6875-24 UNEF-2A
14	.805 (20.45)	.973 (24.71)	.9375-20 UNEF-2A

**Material and Finish**

- Shell: aluminum alloy or CRES/ see how to order table
- Insulator: high grade rigid dielectric
- Interfacial seal, O-ring, grommet: fluorosilicone /N.A.
- Contact: copper alloy /gold plate per ASTM B 488, Type II, Code C, Class 1.25, over suitable underplate
- Spring: CRES /gold plated

SERIES 804 QDC PUSH-PULL



# SERIES 804 QDC PUSH-PULL Mighty Mouse Connectors and Cables



## Lanyard-Release Crimp Removable Contact Receptacle with Accessory Threads



### Series 804 Lanyard-Release Receptacle

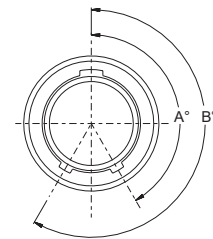
Quick-release lanyard-equipped push/pull receptacles provide unparalleled disengagement performance. Low separation force design provides "quick disconnect" of mated connector receptacle with a simple axial pull on the lanyard. Rear accessory thread allows for addition of connector backshells or adapters. Conductive finishes available

How To Order										
<b>Sample Part Number</b>	<b>804-114 -01 M 6-7 P A 6</b>									
<b>Series</b>	<b>804-114</b> = 804 Push / Pull Receptacle with Lanyard									
<b>Shell Style</b>	<b>-01</b> = Receptacle with accessory thread									
<b>Shell Material and Finish</b>	<b>C</b> = Aluminum / Black Anodize (Non-Conductive) <b>M</b> = Aluminum / Electroless Nickel <b>MT</b> = Aluminum / Nickel-PTFE <b>NF</b> = Aluminum / Cadmium with Olive Drab Chromate <b>ZN</b> = Aluminum / Zinc-Nickel with Olive Drab Chromate <b>ZNU</b> = Aluminum / Zinc-Nickel with Black Chromate <b>Z1</b> = Stainless Steel / Passivated									
<b>Shell Size - Insert Arrangement</b>	Available in Shell Sizes 5 thru 14. See Contact Arrangements Page H-6									
<b>Contact Style</b>	<table border="0"> <tr> <td><b>Connector supplied with contacts</b></td> <td><b>Connector supplied without contacts</b></td> <td><b>Connector Supplied with 30 AWG Barrel</b></td> </tr> <tr> <td><b>P</b> = Pin, Crimp</td> <td><b>A</b> = Pin Connector</td> <td><b>G</b> = Pin, Crimp</td> </tr> <tr> <td><b>S</b> = Socket, Crimp</td> <td><b>B</b> = Socket Connector</td> <td><b>H</b> = Socket, Crimp</td> </tr> </table> <p>Connectors with contacts are supplied with crimp contacts. Contacts not installed. For Coax contacts, order contacts separately and order connector without contacts.</p>	<b>Connector supplied with contacts</b>	<b>Connector supplied without contacts</b>	<b>Connector Supplied with 30 AWG Barrel</b>	<b>P</b> = Pin, Crimp	<b>A</b> = Pin Connector	<b>G</b> = Pin, Crimp	<b>S</b> = Socket, Crimp	<b>B</b> = Socket Connector	<b>H</b> = Socket, Crimp
<b>Connector supplied with contacts</b>	<b>Connector supplied without contacts</b>	<b>Connector Supplied with 30 AWG Barrel</b>								
<b>P</b> = Pin, Crimp	<b>A</b> = Pin Connector	<b>G</b> = Pin, Crimp								
<b>S</b> = Socket, Crimp	<b>B</b> = Socket Connector	<b>H</b> = Socket, Crimp								
<b>Polarization (See Table I)</b>	<b>Omit</b> = Single Key (non polarized) <b>A</b> = Normal <b>B</b> = Pos. B <b>C</b> = Pos. C <b>D</b> = Pos. D <b>E</b> = Pos. E <b>F</b> = Pos. F									
<b>Lanyard Length</b>	<b>1</b> = 1 inch; Lanyard Length In Inches $\pm$ .500									

### NOTES

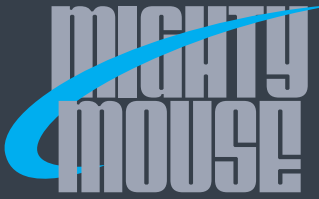
1. Contacts are size 23 crimp type, and are used in a rear release retention system
2. Crimp barrel accommodates 22, 24, 26, 28 and 30 (contact style G and H) gage wire.
3. Crimp tool data:
  - Crimp frame: M22520/2-01
  - Positioner for use with crimp frame: Glenair part number 809-005
  - Insertion/extraction tool: Glenair part number 809-088
4. This connector, plug mates with all push/pull high density receptacle connectors with same polarization and opposite contact gender (804-001, 804-002, 804-113)
5. Red stripe indicator for alignment during mating
6. Connector releases from 0° to 15°, 15° release force will vary

Table I: Keyway Positions



Key Position	Key Rotation	
	A°	B°
A	150°	210°
B	75°	210°
C	95°	230°
D	140°	275°
E	75°	275°
F	95°	210°

SERIES 804 QDC PUSH-PULL

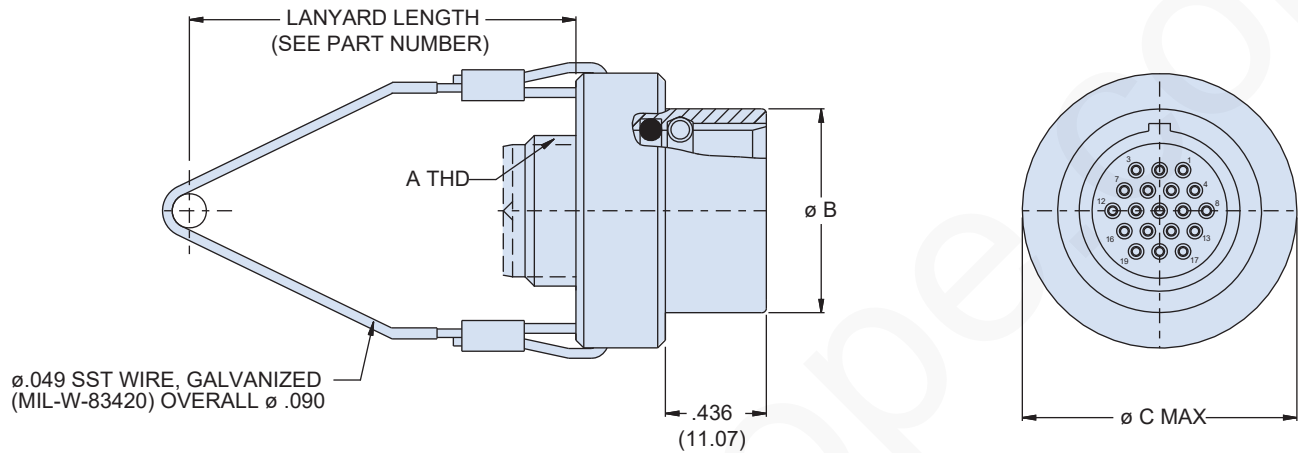


SERIES 804 QDC PUSH-PULL  
Mighty Mouse Connectors and Cables



Lanyard-Release Crimp Removable Contact  
Receptacle with Accessory Threads

QUICK RELEASE LANYARD RECEPTACLE - SHELL STYLE 01

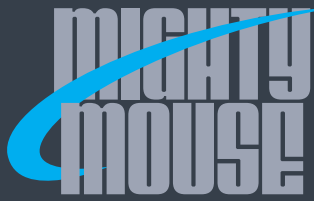


Dimensions			
Shell Size	A Thread	ø B	ø C MAX
5	.250-32 UNEF	0.450 (11.43)	0.812 (20.62)
6	.3125-32 UNEF	0.480 (12.19)	0.875 (22.23)
7	.4375-28 UNEF	0.580 (14.73)	0.938 (23.83)
8	.500-28 UNEF	0.600 (15.24)	1.000 (25.40)
9	.5265-24 UNEF	0.690 (17.53)	1.062 (26.97)
10	.6250-24 UNEF	0.735 (18.67)	1.125 (28.58)
11	.6875-24 UNEF	0.788 (20.02)	1.188 (30.18)
12	.6875-24 UNEF	0.880 (22.35)	1.250 (31.75)
14	.9375-20 UNEF	0.973 (24.71)	1.375 (34.92)

Material and Finish

- Shell: aluminum alloy or CRES / see how to order table
- Insulator: high grade rigid dielectric / N.A.
- Interfacial seal, grommet seal: fluorosilicone / N.A.
- Contact: copper alloy / gold plate per ASTM B 488, Type II, Code C, Class 1.25, over suitable underplate

SERIES 804 QDC PUSH-PULL



# SERIES 804 QDC PUSH-PULL Mighty Mouse Connectors and Cables



## Front or Rear Panel Mount Receptacles with PC Tails or Solder Cups

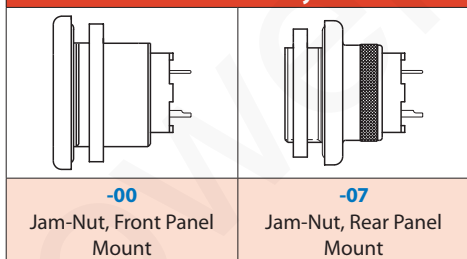


### Panel Mount Receptacles

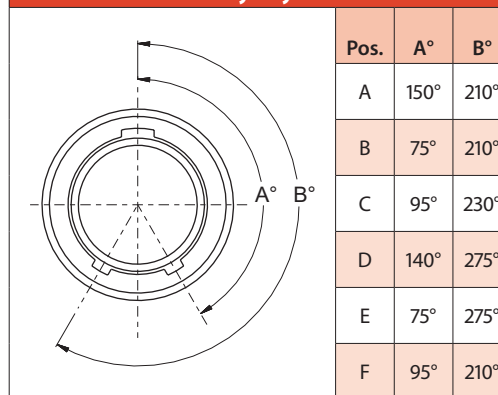
Quick Disconnect Connectors (QDC) feature factory-installed non-removable contacts. Choose solder cup or PC Tail terminals. Available in front or rear panel mount versions. Specify **804-005** connectors for applications where open face water immersion is not a requirement. For MIL-STD-810 Method 512G immersion requirements, specify **804-020** watertight connectors. These 804-020 connectors are specially sealed ("MOD-518") and are 100% tested to meet 1 X 10<sup>-4</sup> ccHe/second @ 1 atmosphere.

How To Order	
<b>Sample Part Number</b>	<b>804-005</b> <b>-07</b> <b>NF</b> <b>9-4</b> <b>E</b> <b>A</b>
<b>Series</b>	<b>804-005</b> = Solder Cup or PCB Receptacle with Standard Potting <b>804-020</b> = Solder Cup or PCB Receptacle with Special "MOD-518" Sealing for Open Face (Unmated) Water Immersion Requirements. 100% Leak Tested.
<b>Shell Style (See Table I)</b>	<b>-00</b> = Jam-Nut, Front Panel Mount <b>-07</b> = Jam-Nut, Rear Panel Mount
<b>Shell Material and Finish</b>	<b>C</b> = Aluminum / Black Anodize (Non-Conductive) <b>M</b> = Aluminum / Electroless Nickel <b>MT</b> = Aluminum / Nickel-PTFE <b>NF</b> = Aluminum / Cadmium with Olive Drab Chromate <b>ZNU</b> = Aluminum / Zinc-Nickel with Black Chromate <b>Z1</b> = Stainless Steel / Passivated
<b>Shell Size - Insert Arrangement</b>	See Contact Arrangements Page H-6
<b>Contact Type</b>	<b>P</b> = Pin, PC Tail <b>E</b> = Pin, Solder Cup <b>S</b> = Socket, PC Tail <b>F</b> = Socket, Solder Cup
<b>Polarization (See Table II)</b>	<b>Omit</b> = Single Master Key <b>A</b> = Normal <b>B</b> = Pos. B <b>C</b> = Pos. C <b>D</b> = Pos. D <b>E</b> = Pos. E <b>F</b> = Pos. F

**Table I: Shell Style**

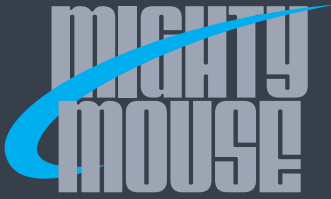


**Table II: Keyway Positions**



### NOTES

1. Contacts are nonremovable
2. Receptacle connector mates with all push/pull high density plug connectors with same polarization and opposite contact gender
3. See page H-9 for recommended panel cut-outs
4. Hermeticity of 804-020 is rated at a helium leak rate of 10<sup>-4</sup> ccHe/sec @ 1 atm

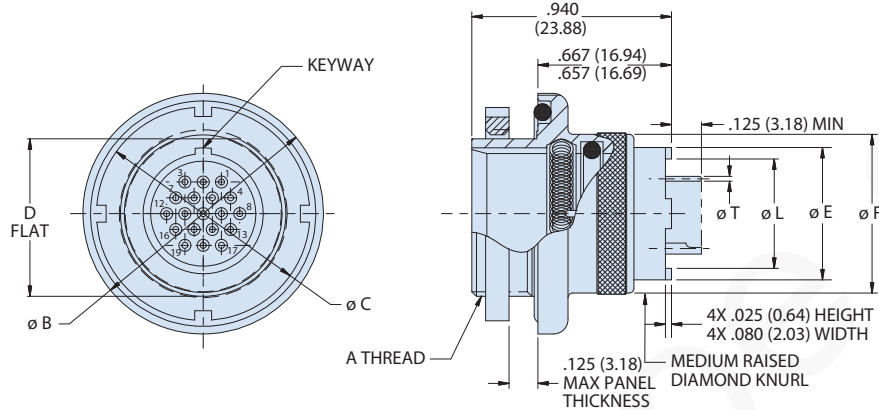


# SERIES 804 QDC PUSH-PULL Mighty Mouse Connectors and Cables



## Front or Rear Panel Mount Receptacles with PC Tails or Solder Cups

### JAM-NUT, REAR PANEL MOUNT RECEPTACLE - STYLE 07

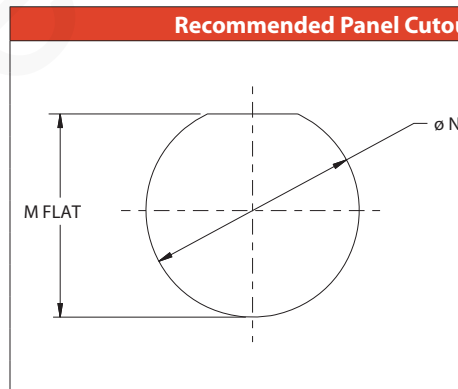


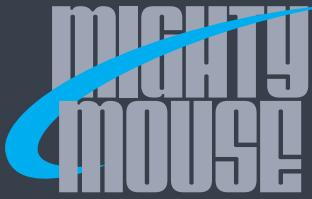
Dimensions									
Shell Size	A Thread	ø B	ø C	D-Flat	ø E	ø F	J Flat	ø L	ø T
5	.4375-32 UN-2A	0.730 (18.54)	0.562 (14.27)	0.415 (10.54)	0.244 (6.20)	0.435 (11.05)	0.470 (11.94)	0.176 (4.47)	<b>#23</b>
6	.5000-32 UN-2A	0.730 (18.54)	0.625 (15.88)	0.467 (11.86)	0.330 (8.38)	0.483 (12.27)	0.530 (13.46)	0.239 (6.07)	.018/.022 (0.46/0.56)
7	.6250-28 UN-2A	0.910 (23.11)	0.750 (19.05)	0.594 (15.09)	0.432 (10.97)	0.570 (14.48)	0.663 (16.84)	0.325 (8.25)	<b>#20</b>
8	.6250-28 UN-2A	0.955 (24.26)	0.750 (19.05)	0.594 (15.09)	0.493 (12.52)	0.593 (15.06)	0.663 (16.84)	0.389 (9.88)	.024/.028 (0.61/0.71)
9	.6875-28 UN-2A	1.000 (25.40)	0.812 (20.62)	0.655 (16.64)	0.551 (14.00)	0.685 (17.40)	0.720 (18.29)	0.447 (11.35)	<b>#16</b>
10	.7500-28 UN-2A	1.085 (27.56)	0.875 (22.23)	0.721 (18.31)	0.620 (15.75)	0.725 (18.42)	0.788 (20.02)	0.516 (13.11)	.060/.064 (1.52/1.63)
11	.8125-28 UN-2A	1.135 (28.83)	0.938 (23.83)	0.788 (20.02)	0.662 (16.81)	0.810 (20.57)	0.843 (21.41)	0.558 (14.17)	<b>#12</b>
12	.8750-28 UN-2A	1.190 (30.23)	1.000 (25.40)	0.843 (21.41)	0.703 (17.86)	0.850 (21.59)	0.970 (24.64)	0.599 (15.21)	.092/.096 (2.34/2.44)
14	1.0000-28 UN-2A	1.325 (33.65)	1.125 (28.58)	0.968 (24.59)	0.863 (21.92)	0.973 (24.71)	1.020 (25.91)	0.759 (19.28)	
15	1.0625-20 UN-2A	1.375 (34.92)	1.188 (30.18)	1.029 (26.14)	0.912 (23.16)	1.028 (26.11)	1.093 (27.76)	0.808 (20.52)	

#### Material and Finish

- Shell, jam nut: al alloy or cres / see Series 80 catalog
- Insulators : high grade rigid dielectric / N.A.
- Interfacial seal, o-ring : fluorosilicone / N.A.
- Contact: copper alloy / gold plate per ASTM B 488, type II, code c,
- Class 1.25 (.00005 Min thk), over a suitable underplate.
- Detent spring : cres / gold plated
- Potting compound : epoxy / N.A.

Recommended Panel Cutout for Rear Mount Jam Nut Receptacle			
Shell Size	M Flat		ø N
	5	0.427 (10.85); 0.423 (10.74)	
6	0.479 (12.17); 0.475 (12.07)	0.510 (12.95)	
7	0.606 (15.39); 0.601 (15.27)	0.635 (16.13)	
8	0.606 (15.39); 0.602 (15.29)	0.635 (16.13)	
9	0.667 (16.94); 0.663 (16.84)	0.695 (17.65)	
10	0.734 (18.64); 0.729 (18.52)	0.760 (19.30)	
11	0.801 (20.35); 0.796 (20.22)	0.822 (20.88)	
12	0.855 (21.72); 0.851 (21.62)	0.885 (22.48)	
14	0.980 (24.89); 0.976 (24.79)	1.010 (25.65)	
15	1.041 (26.44); 1.037 (26.34)	1.070 (27.18)	



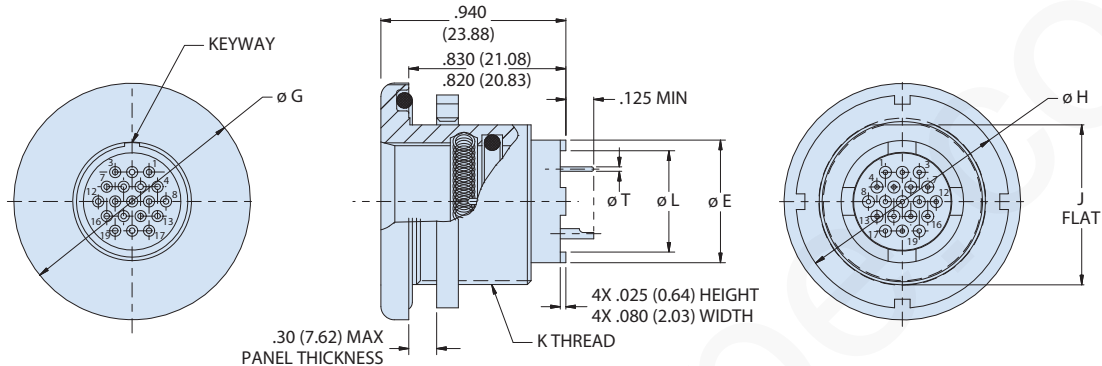


# SERIES 804 QDC PUSH-PULL Mighty Mouse Connectors and Cables



## Front or Rear Panel Mount Receptacles with PC Tails or Solder Cups

### JAM-NUT, FRONT PANEL MOUNT RECEPTACLE - STYLE 00

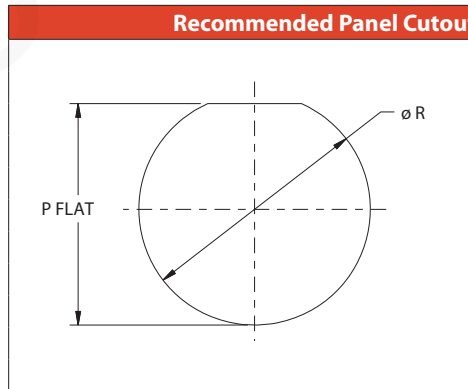


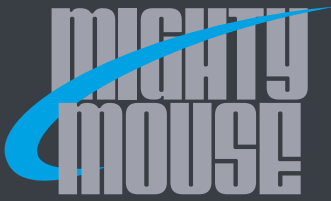
Dimensions							
Shell Size	K Thread	$\phi E$	$\phi G$	$\phi H$	J Flat	$\phi L$	$\phi T$
5	.5000-32 UN-2A	0.244 (6.20)	0.885 (22.48)	0.625 (15.88)	0.470 (11.94)	0.176 (4.47)	#23 .018/.022 (0.46/0.56)
6	.5625-32 UN-2A	0.330 (8.38)	0.885 (22.48)	0.688 (17.48)	0.530 (13.46)	0.239 (6.07)	
7	.6875-28 UN-2A	0.432 (10.97)	0.995 (25.27)	0.812 (20.62)	0.663 (16.84)	0.325 (8.25)	
8	.6875-28 UN-2A	0.493 (12.52)	0.995 (25.27)	0.812 (20.62)	0.663 (16.84)	0.389 (9.88)	#20 .024/.028 (0.61/0.71)
9	.7500-28 UN-2A	0.551 (14.00)	1.075 (27.30)	0.875 (22.23)	0.720 (18.29)	0.447 (11.35)	
10	.8125-28 UN-2A	0.620 (15.75)	1.140 (28.96)	0.938 (23.83)	0.788 (20.02)	0.516 (13.11)	#16 .060/.064 (1.52/1.63)
11	.8750-28 UN-2A	0.662 (16.81)	1.190 (30.23)	1.000 (25.40)	0.843 (21.41)	0.558 (14.17)	
12	1.000-28 UN-2A	0.703 (17.86)	1.340 (34.04)	1.125 (28.58)	0.970 (24.64)	0.599 (15.21)	
14	1.062-20 UN-2A	0.863 (21.92)	1.390 (35.31)	1.162 (29.51)	1.020 (25.91)	0.759 (19.28)	#12 .092/.096 (2.34/2.44)
15	1.125-28 UN-2A	0.912 (23.16)	1.450 (36.83)	1.250 (31.75)	1.093 (27.76)	0.808 (20.52)	

#### Material and Finish

- Shell, jam nut: al alloy or cres / see Series 80 catalog
- Insulators : high grade rigid dielectric / N.A.
- Interfacial seal, o-ring : fluorosilicone / N.A.
- Contact: copper alloy / gold plate per ASTM B 488, type II, code c,
- Class 1.25 (.00005 Min thk), over a suitable underplate.
- Detent spring : cres / gold plated
- Potting compound : epoxy / N.A.

Recommended Panel Cutout for Rear Mount Jam Nut Receptacle			
Shell Size	P Flat		$\phi R$
	5	0.482 (12.24); 0.478 (12.14)	0.510 (12.95)
6	0.542 (13.77); 0.538 (13.67)	0.575 (14.60)	
7	0.676 (17.17); 0.671 (17.04)	0.698 (17.73)	
8	0.676 (17.17); 0.671 (17.04)	0.698 (17.73)	
9	0.732 (18.59); 0.728 (18.49)	0.760 (19.30)	
10	0.801 (20.35); 0.796 (20.22)	0.822 (20.88)	
11	0.855 (21.72); 0.851 (21.62)	0.885 (22.48)	
12	0.982 (24.94); 0.978 (24.84)	1.010 (25.65)	
14	1.032 (26.21); 1.028 (26.11)	1.075 (27.30)	
15	1.015 (25.78); 1.011 (25.68)	1.135 (28.83)	





SERIES 804 QDC PUSH-PULL

# Mighty Mouse Connectors and Cables



## PCB Receptacle with PC Tails or Solder Cup Contacts and Ground Pins



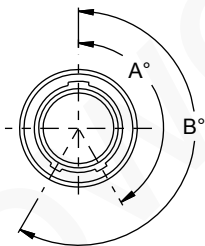
### Series 804 PC Tail or Solder Cup Contact Receptacle with Ground Pins

Connector features copper alloy, gold plated PC tails or solder cup contacts. Ground pins are pressed into the shell body to provide a direct grounding path from the connector shell to the PCB board creating a common ground path for the connector, the panel it is mounted against, and printed circuit board. "Push-Pull" quick-disconnect canted coil spring securely retains mating plug connector and provides low shell-to-shell resistance for excellent EMI shielding. O-ring inside receptacle shell provides water-tight seal when mated. Two shell styles available — rear panel mount jam-nut or front panel mount jam-nut available. PC tail contacts for attachment to flex or rigid circuit boards. Choose solder cups for connections between devices, PCB's and discrete instruments

#### How To Order

<b>Sample Part Number</b>	<b>804-032</b>	<b>-07</b>	<b>M</b>	<b>6-4</b>	<b>P</b>	<b>A</b>
<b>Series</b>	804-032 = PCB Receptacle with PC Tail or Solder Cup Contacts					
<b>Shell Style</b>	-00 = Jam-Nut, Front Panel Mount -07 = Jam-Nut, Rear Panel Mount					
<b>Material and Finish</b>	C = Black Anodize M = Aluminum / Electroless Nickel NF = Aluminum / Cadmium with Olive Drab Chromate ZN = Aluminum / Zinc-Nickel Olive Drab over Electroless Nickel					
<b>Shell Size - Insert Arrangement</b>	See Contact Arrangements page E-7					
<b>Contact Type</b>	P = Pin, PC Tail      E = Pin, Solder Cup S = Socket, PC Tail    F = Socket, Solder Cup					
<b>Polarization (See Table I)</b>	A = Normal    B = Pos. B    C = Pos. C    D = Pos. D    E = Pos. E    F = Pos. F Omit character for single keyway (non-polarized)					

Table I: Keyway Positions

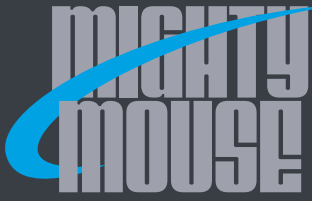


Position	A°	B°
A	150°	210°
B	75°	210°
C	95°	230°
D	140°	275°
E	75°	275°
F	95°	210°

#### NOTES

1. Contacts are non removable, the connector is back potted
2. This receptacle connector mates with all quick coupling high density plug connectors with same polarization and opposite contact gender (804-001, 804-002)
3. See page H-9 for panel cut-out dimensions
4. Material / finish:
  - Shell, jam-nut: aluminum alloy or CRES / N.A.
  - Insulator: high-grade rigid dielectric
  - Interfacial seal, O-ring: fluorosilicone
  - Contact, ground pins: copper alloy / gold plate per ASTM B 488, Type II, Code C, Class 1.25 (.00005 minimum thickness), over a suitable underplate
  - Potting compound: epoxy / N.A.

SERIES 804 QDC PUSH-PULL



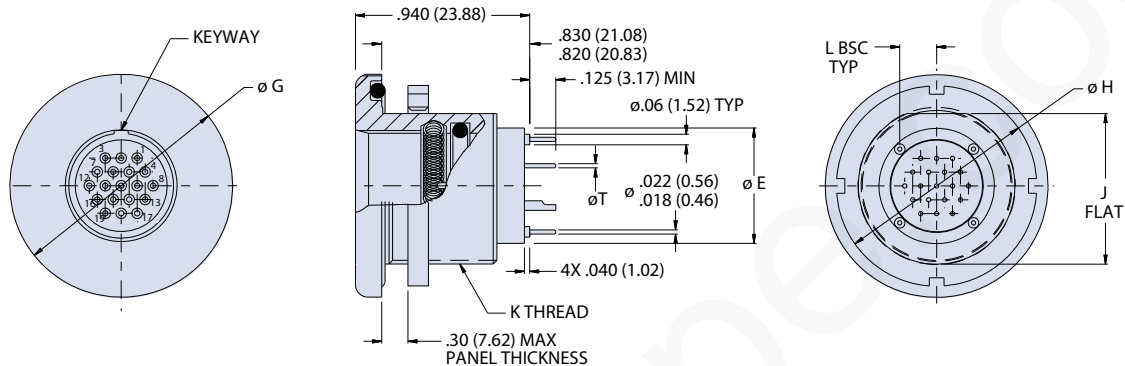
SERIES 804 QDC PUSH-PULL

Mighty Mouse Connectors and Cables



PCB Receptacle with PC Tails or Solder Cup  
Contacts and Ground Pins

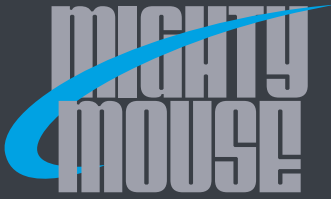
**JAM-NUT, FRONT PANEL MOUNT RECEPTACLE - STYLE 00**



Dimensions						
SHELL SIZE	Ø E	Ø G	Ø H	J FLAT	K THREAD	L BSC
5	0.336 (8.53)	0.830 (21.08)	0.625 (15.88)	0.470 (11.94)	.5000-32 UN-2A	0.087 (2.21)
6	0.398 (10.11)	0.885 (22.48)	0.688 (17.48)	0.530 (13.46)	.5625-28 UN-2A	0.109 (2.77)
7	0.486 (12.34)	0.995 (25.27)	0.812 (20.62)	0.663 (16.84)	.6875-28 UN-2A	0.147 (3.73)
8	0.548 (13.92)	0.995 (25.27)	0.812 (20.62)	0.663 (16.84)	.6875-28 UN-2A	0.165 (4.19)
9	0.606 (15.39)	1.075 (27.30)	0.875 (22.23)	0.720 (18.29)	.7500-28 UN-2A	0.186 (4.72)
10	0.675 (17.15)	1.140 (28.96)	0.938 (23.83)	0.788 (20.02)	.8125-28 UN-2A	0.210 (5.33)
11	0.717 (18.21)	1.190 (30.23)	1.000 (25.40)	0.843 (21.41)	.8750-28 UN-2A	0.222 (5.64)
12	0.758 (19.25)	1.340 (34.04)	1.125 (28.58)	0.970 (24.64)	1.000-28 UN-2A	0.239 (6.07)
14	0.918 (23.32)	1.390 (35.31)	1.162 (29.51)	1.020 (25.91)	1.062-20 UN-2A	0.296 (7.52)

PC Tail Diameters	
Contact Size	ØT
#23	.022 (0.56)
	.018 (0.46)
#20	.028 (0.71)
	.024 (0.61)
#16	.064 (1.63)
	.060 (1.52)
#12	.096 (2.44)
	.092 (2.34)

SERIES 804 QDC PUSH-PULL

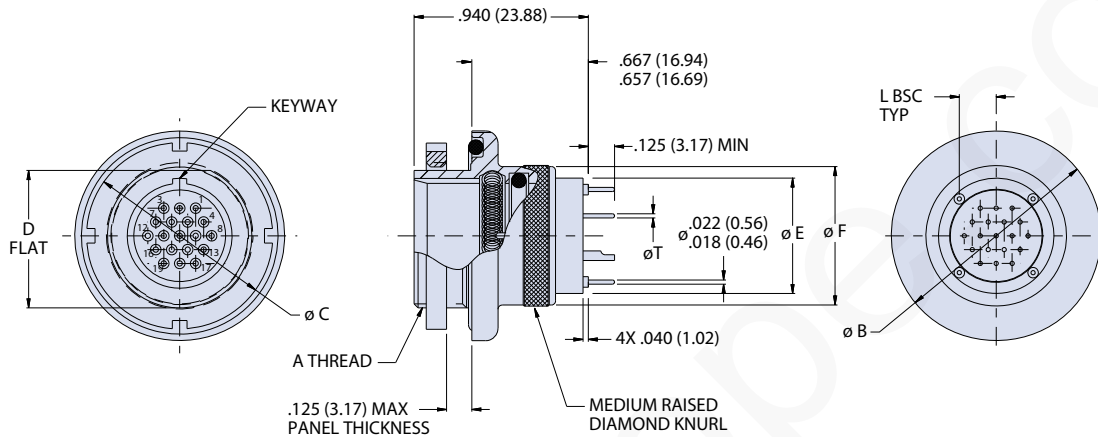


SERIES 804 QDC PUSH-PULL  
Mighty Mouse Connectors and Cables



PCB Receptacle with PC Tails or Solder Cup  
Contacts and Ground Pins

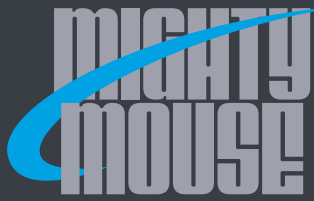
**JAM-NUT, REAR PANEL MOUNT RECEPTACLE - STYLE 07**



Dimensions							
SHELL SIZE	A THREAD	ø B	ø C	D FLAT	ø E	ø F	L BSC
5	.4375-32 UN-2A	0.730 (18.54)	0.562 (14.27)	0.415 (10.54)	0.336 (8.53)	0.435 (11.05)	0.087 (2.21)
6	.5000-32 UN-2A	0.730 (18.54)	0.625 (15.88)	0.467 (11.86)	0.398 (10.11)	0.483 (12.27)	0.109 (2.77)
7	.6250-28 UN-2A	0.910 (23.11)	0.750 (19.05)	0.594 (15.09)	0.486 (12.34)	0.570 (14.48)	0.147 (3.73)
8	.6250-28 UN-2A	0.955 (24.26)	0.750 (19.05)	0.594 (15.09)	0.548 (13.92)	0.593 (15.06)	0.165 (4.19)
9	.6875-28 UN-2A	1.000 (25.40)	0.812 (20.62)	0.655 (16.64)	0.606 (15.39)	0.685 (17.40)	0.186 (4.72)
10	.7500-28 UN-2A	1.085 (27.56)	0.875 (22.23)	0.721 (18.31)	0.675 (17.15)	0.725 (18.42)	0.210 (5.33)
11	.8125-28 UN-2A	1.135 (28.83)	0.938 (23.83)	0.788 (20.02)	0.717 (18.21)	0.810 (20.57)	0.222 (5.64)
12	.8750-28 UN-2A	1.190 (30.23)	1.000 (25.40)	0.843 (21.41)	0.758 (19.25)	0.880 (22.35)	0.239 (6.07)
14	1.0000-28 UN-2A	1.325 (33.65)	1.125 (28.58)	0.968 (24.59)	0.918 (23.32)	0.973 (24.71)	0.296 (7.52)

PC Tail Diameters	
Contact Size	ØT
#23	.022 (0.56)
	.018 (0.46)
#20	.028 (0.71)
	.024 (0.61)
#16	.064 (1.63)
	.060 (1.52)
#12	.096 (2.44)
	.092 (2.34)

SERIES 804 QDC PUSH-PULL



SERIES 804 QDC PUSH-PULL

# Mighty Mouse Connectors and Cables



Light Weight, Hermetic Jam-Nut Mount Receptacles with PC Tails or Solder Cups

**CODE RED**<sup>TM</sup>



### CODE RED Light Weight Hermetic Panel Mount Receptacles

Quick Disconnect Series 804 Hermetic Connectors feature aluminum shells with advanced encapsulant sealing technology and gold-plated copper contacts. Contacts are factory-installed and non-removable. Choose solder cup or PC Tail terminals. Front or rear jam-nut panel mount versions available. Select front panel mount to reduce snagging and lower profile, or choose rear panel mount style where space within a box enclosure is limited. 100% tested to meet 1 X 10<sup>-7</sup> ccHe/sec @ 1 atm helium leak rate. Operating temperature range of -65°C to +200° C. Coil spring securely retains mating plug connector and provides low shell-to-shell resistance for excellent EMI shielding. Not for use in liquid environments.

How To Order	
<b>Sample Part Number</b>	<b>804-140 -07 ZNU 6-4 P N</b>
<b>Series</b>	<b>804-140</b> = Hermetic Receptacle
<b>Shell Style (See Table I)</b>	<b>-00</b> = Jam-Nut, Front Panel Mount <b>-07</b> = Jam-Nut, Rear Panel Mount
<b>Shell Material and Finish</b>	<b>M</b> = Aluminum / Electroless Nickel <b>ME</b> = Aluminum / Electroless Nickel, Thick <b>NF</b> = Aluminum / Cadmium-Nickel / Olive Drab <b>ZN</b> = Aluminum / Zinc-Nickel / Olivew Drab <b>ZNU / ZR</b> = Aluminum / Zinc-Nickel / Black Chromate
<b>Shell Size - Insert Arrangement</b>	See Contact Arrangements Page H-6
<b>Contact Type</b>	<b>E</b> = Pin, Solder Cup <b>P</b> = Pin, PC Tail <b>F</b> = Socket, Solder Cup <b>S</b> = Socket, PC Tail
<b>Polarization (See Table II)</b>	<b>Omit</b> = Single Master Key <b>A</b> = Normal <b>B</b> = Pos. B <b>C</b> = Pos. C <b>D</b> = Pos. D <b>E</b> = Pos. E <b>F</b> = Pos. F

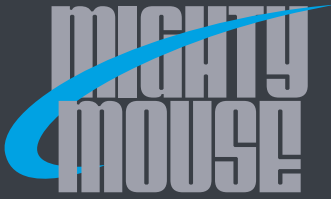
### NOTES

1. Red Stripe indicator for alignment during mating
2. Contacts are non removable
3. Receptacle connector mates with all push/pull high density plug connectors with same polarization and opposite contact gender, 804-001, 804-002, 804-009, 804-006, and 804-080.
4. See page H-9 for recommended panel cut-outs
5. Performances:
  - temperature range:-65°C to +200°C
  - Hemeticity: -1 x 10<sup>-7</sup> cc He/sec @ 1 ATM differential
  - DWM: 750 VAC @ seal level
  - IR: 5000 megohms @ 500 VDC minimum, room temperature
  - Connector shall not be used in liquid environment

Table I: Shell Style	
<b>-00</b> Jam-Nut, Front Panel Mount	<b>-07</b> Jam-Nut, Rear Panel Mount

Table II: Keyway Positions		
	Pos.	A°    B°
	A	150°    210°
	B	75°    210°
	C	95°    230°
	D	140°    275°
	E	75°    210°
	F	95°    210°

SERIES 804 QDC PUSH-PULL

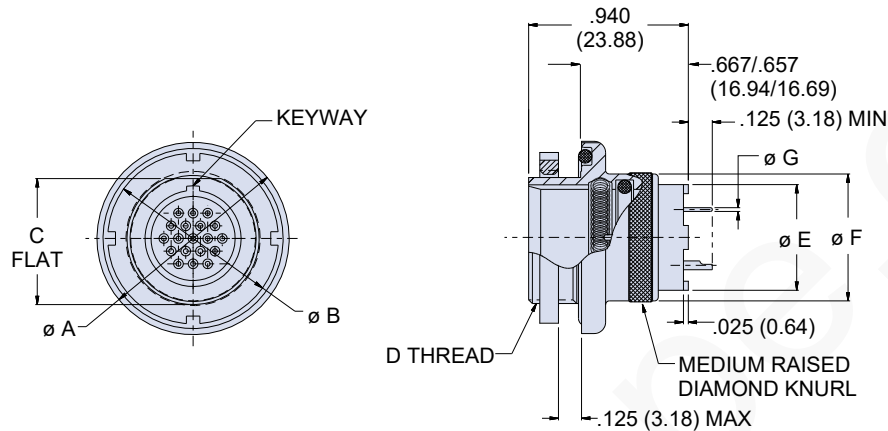


# SERIES 804 QDC PUSH-PULL Mighty Mouse Connectors and Cables



## Light Weight, Hermetic Jam-Nut Mount Receptacles with PC Tails or Solder Cups

### JAM-NUT, REAR PANEL MOUNT RECEPTACLE - SHELL STYLE 07

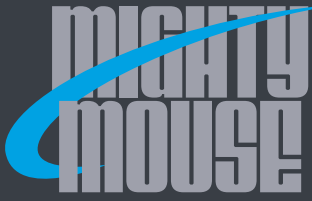


Dimensions							
Shell Size	Ø A	Ø B	C Flat	D Threads	Ø E	Ø F	Ø G Tail Dia.
5	.790 (20.07)	.562 (14.27)	.415 (10.54)	.4375-32 UN-2A	.250 (6.35)	.450 (11.43)	#23 .018/.022 (0.46/0.56)
6	.830 (21.08)	.625 (15.88)	.467 (11.86)	.5000-32 UN-2A	.330	.520 (13.21)	
7	.910 (23.11)	.750 (19.05)	.594 (15.09)	.6250-28 UN-2A	.432 (10.97)	.580 (14.73)	
8	.955 (24.26)	.750 (19.05)	.594 (15.09)	.6250-28 UN-2A	.432 (10.97)	.580 (14.73)	#20 .024/.028 (0.61/0.71)
9	1.000 (25.40)	.812 (20.62)	.655 (16.64)	.6875-28 UN-2A	.551 (14.00)	.695 (17.65)	#16 .060/.064 (1.52/1.63)
10	1.085 (27.56)	.875 (22.23)	.721 (18.31)	.7500-28 UN-2A	.620 (15.75)	.735 (18.67)	
11	1.135 (28.83)	.938 (23.83)	.790 (20.07)	.8125-28 UN-2A	.662 (16.81)	.810 (20.57)	
12	1.190 (30.23)	1.000 (25.40)	.843 (21.41)	.8750-28 UN-2A	.703 (17.86)	.880 (22.35)	#12 .092/.096 (2.34/2.44)
14	1.325 (33.65)	1.125 (28.58)	.968 (24.59)	1.0000-28 UN-2A	.863 (21.92)	1.010 (25.65)	

#### Material and Finish

- Shell, jam-nut: see how to order table
- Insulator: high grade rigid dielectric / N.A.
- Interfacial seal and O-ring: fluorosilicone / N.A.
- Contact: copper alloy / gold plate per ASTM B 488, Type II, Code C, Class 1.25, over suitable underplate
- Sealing compound: potting encapsulant

SERIES 804 QDC PUSH-PULL



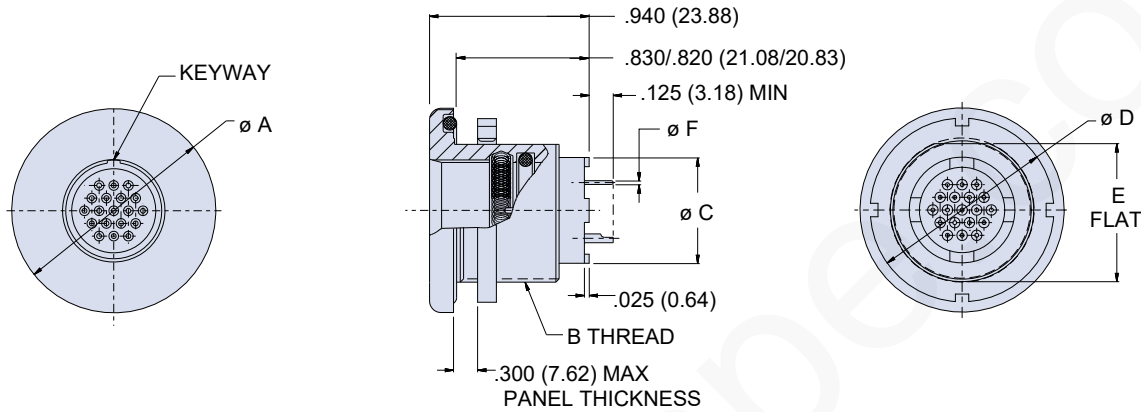
SERIES 804 QDC PUSH-PULL

Mighty Mouse Connectors and Cables



Light Weight, Hermetic Jam-Nut Mount  
Receptacles with PC Tails or Solder Cups

**JAM-NUT, FRONT PANEL MOUNT RECEPTACLE- SHELL STYLE 00**

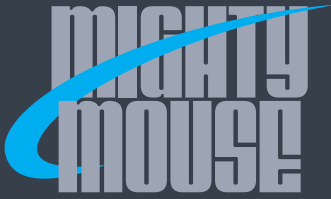


Dimensions						
Shell Size	Ø A	B Threads	Ø C	Ø D	E Flat	Ø F Tail Dia.
5	.830 (21.08)	.5000-32 UN-2A	.250	.625 (15.88)	.470 (11.94)	#23 .018/.022 (0.46/0.56)
6	.885 (22.48)	.5625-28 UN-2A	.330	.688 (17.48)	.530 (13.46)	
7	.995 (25.27)	.6875-28 UN-2A	.432 (10.97)	.812 (20.62)	.663 (16.84)	
8	.995 (25.27)	.6875-28 UN-2A	.432 (10.97)	.812 (20.62)	.663 (16.84)	#20 .024/.028 (0.61/0.71)
9	1.075 (27.30)	.7500-28 UN-2A	.551 (14.00)	.875 (22.23)	.720 (18.29)	
10	1.140 (28.96)	.8125-28 UN-2A	.620 (15.75)	.938 (23.83)	.788 (20.02)	#16 .060/.064 (1.52/1.63)
11	1.190 (30.23)	.8750-28 UN-2A	.662 (16.81)	1.000 (25.40)	.843 (21.41)	
12	1.340 (34.04)	1.0000-28 UN-2A	.703 (17.86)	1.125 (28.58)	.970 (24.64)	#12 .092/.096 (2.34/2.44)
14	1.390 (35.31)	1.0625-20 UN-2A	.863 (21.92)	1.162 (29.51)	1.020 (25.91)	

Material and Finish

- Shell, jam-nut: see how to order table
- Insulator: high grade rigid dielectric / N.A.
- Interfacial seal and O-ring: fluorosilicone / N.A.
- Contact: copper alloy / gold plate per ASTM B 488, Type II, Code C, Class 1.25, over suitable underplate
- Sealing compound: potting encapsulant

SERIES 804 QDC PUSH-PULL



# SERIES 804 QDC PUSH-PULL Mighty Mouse Connectors and Cables



## Glass-to-Metal Seal Hermetic Jam-Nut Mount Receptacles with PC Tails or Solder Cups



### Series 804 Glass-Seal Hermetic Receptacles

Quick disconnect connectors (QDC) feature stainless steel shells, fused vitreous glass insulators and gold-plated Alloy 52 iron alloy contacts.

### Hermeticity rating

100% tested to meet  $1 \times 10^{-7}$  ccHe/sec @ 1 atm helium leak rate.

Two Shell Styles are available:

**Style 00** for front panel mounting

**Style 07** for rear panel mounting.

### "Push-Pull" Quick-Disconnect

Canted coil spring securely retains mating plug connector and provides low shell-to-shell resistance for excellent EMI shielding. O-ring inside receptacle shell provides water-tight seal when mated.

How To Order						
<b>Sample Part Number</b>	<b>804-006</b>	<b>-07</b>	<b>Z1</b>	<b>9-19</b>	<b>P</b>	<b>A</b>
<b>Series</b>	804-006 = Hermetic Receptacle					
<b>Shell Style (See Table I)</b>	-00 = Jam-Nut, Front Panel Mount -07 = Jam-Nut, Rear Panel Mount					
<b>Shell Material and Finish</b>	Z1 = Stainless Steel/Passivated ZL = Stainless Steel/Nickel Plated					
<b>Shell Size - Insert Arrangement</b>	See Contact Arrangements Page H-6					
<b>Contact Type</b>	P = Pin, Solder Cup      C = Pin, PC Tail S = Socket, Solder Cup      D = Socket, PC Tail					
<b>Polarization (See Table II)</b>	Omit = Single Master Key    A = Normal    B = Pos. B    C = Pos. C    D = Pos. D    E = Pos. E    F = Pos. F					

Table I: Shell Style

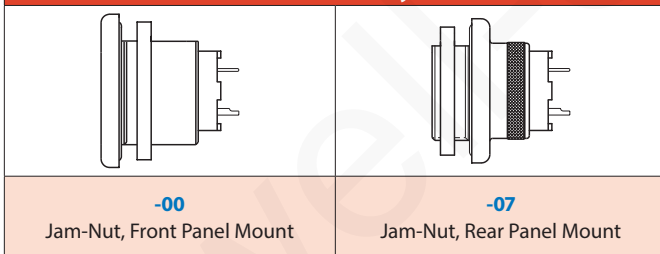
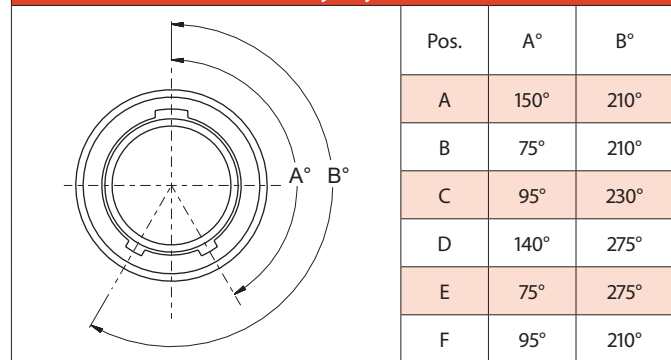


Table II: Keyway Positions



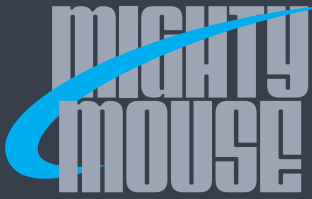
### NOTES

1. Contacts are non removable
2. Receptacle connector mates with all push/pull high density plug connectors with same polarization and opposite contact gender
3. See page H-9 for recommended panel cut-outs
4. Hermeticity rating of  $1 \times 10^{-7}$  cc/sec

### DWV Rating

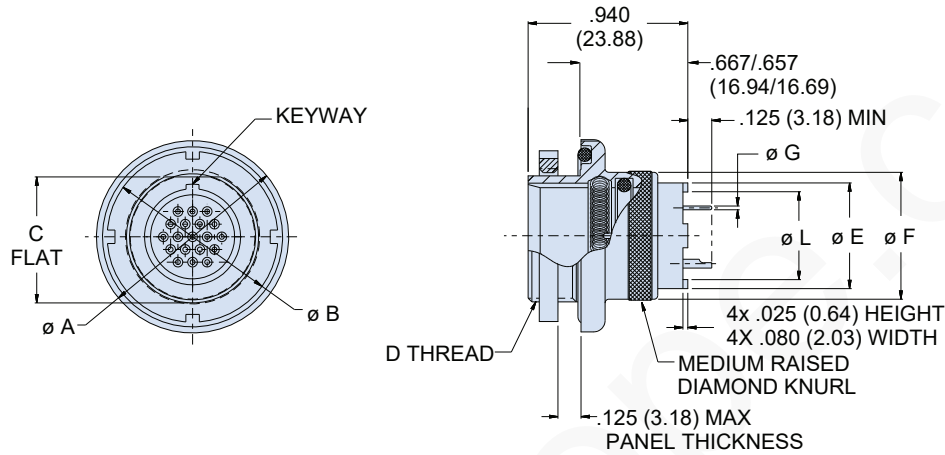
Contact Sizes	Test Voltage
23	750 Vac
20 HD	1000 Vac
16, 12, 8	1800 Vac

SERIES 804 QDC PUSH-PULL



Glass-to-Metal Seal Hermetic Jam-Nut Mount Receptacles with PC Tails or Solder Cups

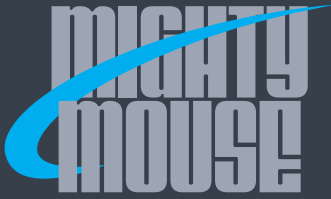
JAM-NUT, REAR PANEL MOUNT RECEPTACLE - SHELL STYLE 07



Dimensions								
Shell Size	Ø A	Ø B	C Flat	D Threads	Ø E	Ø F	Ø G Tail Dia.	Ø L
5	.790 (20.07)	.562 (14.27)	.415 (10.54)	.4375-32 UN-2A	.244 (6.20)	.450 (11.43)	#23 .022/.018 (0.56/0.46)	.176 (4.47)
6	.830 (21.08)	.625 (15.88)	.467 (11.86)	.5000-32 UN-2A	.336 (8.53)	.520 (13.21)		.239 (6.07)
7	.910 (23.11)	.750 (19.05)	.594 (15.09)	.6250-28 UN-2A	.432 (10.97)	.580 (14.73)	#20 .028/.024 (0.71/0.61)	.325 (8.25)
8	.955 (24.26)	.750 (19.05)	.594 (15.09)	.6250-28 UN-2A	.493 (12.52)	.603 (15.32)		.389 (9.88)
9	1.000 (25.40)	.812 (20.62)	.655 (16.64)	.6875-28 UN-2A	.551 (14.00)	.695 (17.65)	#16 .064/.060 (1.63/1.52)	.447 (11.35)
10	1.085 (27.56)	.875 (22.23)	.721 (18.31)	.7500-28 UN-2A	.620 (15.75)	.735 (18.67)		.516 (13.11)
11	1.135 (28.83)	.938 (23.83)	.790 (20.07)	.8125-28 UN-2A	.662 (16.81)	.810 (20.57)	#12 .096/.092 (2.44/2.34)	.558 (14.17)
12	1.180 (29.97)	1.000 (25.40)	.843 (21.41)	.8750-28 UN-2A	.703 (17.86)	.880 (22.35)		.599 (15.21)
14	1.325 (33.65)	1.125 (28.58)	.968 (24.59)	1.0000-28 UN-2A	.863 (21.92)	1.010 (25.65)		.759 (19.28)

Material and Finish

- Shell, jam-nut: CRES / see how-to-order table
- Insulator, Hermetic: fused glass
- Insulator, socket: hi-grade rigid dielectric
- Interfacial seal, O-ring: fluorosilicone
- Contact: socket-copper alloy / gold plate
- Contacts, hermetic: nickel-iron alloy / gold plate
- Detent spring-CRES/gold plated
- Potting compound: epoxy

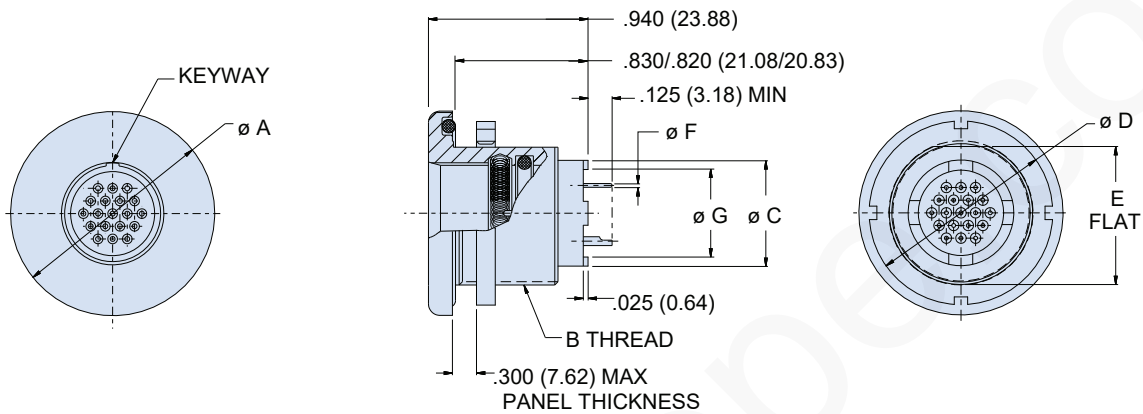


SERIES 804 QDC PUSH-PULL  
Mighty Mouse Connectors and Cables



Glass-to-Metal Seal Hermetic Jam-Nut Mount  
Receptacles with PC Tails or Solder Cups

JAM-NUT, FRONT PANEL MOUNT RECEPTACLE- SHELL STYLE 00

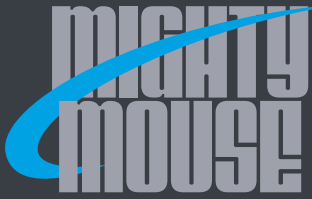


Dimensions							
Shell Size	Ø A	B Threads	Ø C	Ø D	E Flat	Ø F Tail Dia.	Ø G
5	.830 (21.08)	.5000-32 UN-2A	.244 (6.20)	.625 (15.88)	.470 (11.94)	#23 .018/.022 (0.46/0.56)	.176 (4.47)
6	.885 (22.48)	.5625-28 UN-2A	.336 (8.53)	.688 (17.48)	.530 (13.46)		.239 (6.07)
7	.995 (25.27)	.6875-28 UN-2A	.432 (10.97)	.812 (20.62)	.663 (16.84)		.325 (8.25)
8	.995 (25.27)	.6875-28 UN-2A	.493 (12.52)	.812 (20.62)	.663 (16.84)	#20 .024/.028 (0.61/0.71)	.389 (9.88)
9	1.075 (27.30)	.7500-28 UN-2A	.551 (14.00)	.875 (22.23)	.720 (18.29)	#16 .060/.064 (1.52/1.63)	.447 (11.35)
10	1.140 (28.96)	.8125-28 UN-2A	.620 (15.75)	.938 (23.83)	.788 (20.02)		.516 (13.11)
11	1.190 (30.23)	.8750-28 UN-2A	.662 (16.81)	1.000 (25.40)	.843 (21.41)	#12 .092/.096 (2.34/2.44)	.558 (14.17)
12	1.340 (34.04)	1.000-28 UN-2A	.703 (17.86)	1.125 (28.58)	.970 (24.64)		.599 (15.21)
14	1.390 (35.31)	1.062-20 UN-2A	.863 (21.92)	1.188 (29.51)	1.020 (25.91)		.759 (19.28)

Material and Finish

- Shell, jam-nut: CRES / see how to order table
- Insulator, Hermetic: fused glass
- Insulator, socket: hi-grade rigid dielectric
- Interfacial seal, O-ring: fluorosilicone
- Contact: socket-copper alloy / gold plate
- Contacts, hermetic: nickel-iron alloy / gold plate
- Detent spring-CRES/gold plated
- Potting compound: epoxy

SERIES 804 QDC PUSH-PULL



SERIES 804 QDC PUSH-PULL

Mighty Mouse Connectors and Cables



Jam-Nut Mount Bulkhead Feed-Thru Connector



**Series 804 Bulkhead Feed-Thru Receptacle**

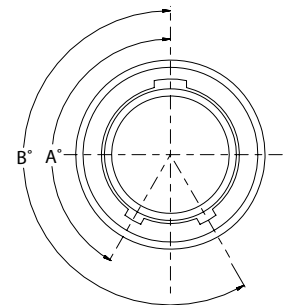
This series 804 design provides a separable connection on both sides of the mounting panel. Jam-nut receptacle features three contact options: pin/socket (preferred version), pin/pin, or socket/socket. Contacts are factory installed and are not removable. Available in aluminum or stainless steel. Gold-plated copper alloy contacts and ground spring, high-grade rigid dielectric insulator, fluorosilicone seals. Note: use caution when specifying pin/pin or socket/socket versions. the arrangement pattern is mirrored about the vertical axis.

How To Order	
<b>Sample Part Number</b>	<b>804-067 -07 M 6-7 P P A</b>
<b>Series</b>	<b>804-067</b> = Bulkhead Feed-Thru Receptacle
<b>Shell Style</b>	<b>-07</b> = Jam-Nut, Rear Panel Mount
<b>Shell Material and Finish</b>	<b>C</b> = Aluminum / Black Anodize (Non-Conductive) <b>M</b> = Aluminum / Electroless Nickel <b>MT</b> = Aluminum / Nickel-PTFE <b>NF</b> = Aluminum / Cadmium with Olive Drab Chromate <b>ZN</b> = Aluminum / Zinc-Nickel with Olive Drab Chromate <b>ZNU</b> = Aluminum / Zinc-Nickel with Black Chromate <b>Z1</b> = Stainless Steel / Passivated
<b>Shell Size - Insert Arrangement</b>	Available in Shell Sizes 5 thru 14. See Contact Arrangements Page H-6
<b>Contact Type Jam-Nut Side</b>	<b>P</b> = Pin <b>S</b> = Socket Coax contacts are not unavailable.
<b>Contact Type Other Side</b>	<b>P</b> = Pin <b>S</b> = Socket
<b>Polarization (See Table I)</b>	<b>A</b> = Normal <b>B</b> = Pos. B <b>C</b> = Pos. C <b>D</b> = Pos. D <b>E</b> = Pos. E <b>F</b> = Pos. F

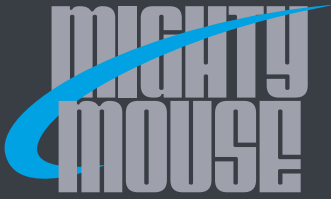
**NOTES**

1. Contacts are non removable
2. Receptacle connector mates with all push/pull high density plug connectors with same polarization and opposite contact gender
3. Connectors with Pin-Pin and Socket-Socket contact styles will cause the arrangement pattern to be mirrored about the vertical centerline
4. See page H-9 for recommended panel cut-outs

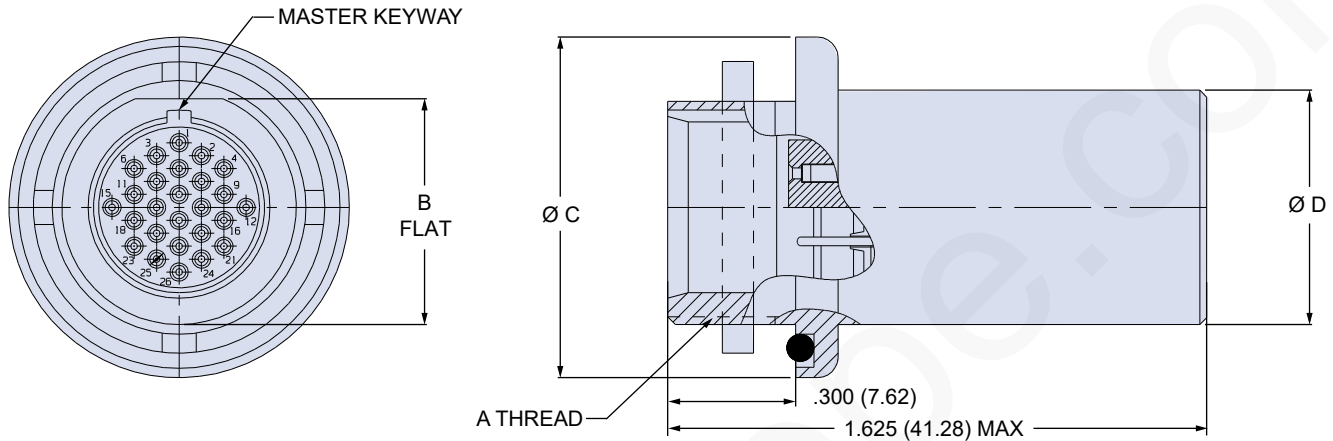
Table I: Keyway Positions		
Key Position	Key Rotation	
	A°	B°
A	150°	210°
B	75°	210°
C	95°	230°
D	140°	275°
E	75°	275°
F	95°	210°



SERIES 804 QDC PUSH-PULL



**JAM-NUT, REAR PANEL MOUNT BULKHEAD FEED-THRU - STYLE 07**

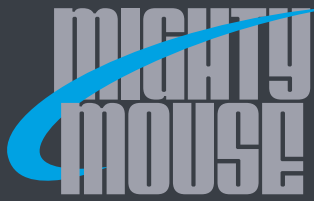


Dimensions				
Shell Size	A Thread	B Flat	Ø C	Ø D
5	.4375-32 UN-2A	.415 (10.54)	.730 (18.54)	.450 (11.43)
6	.5000-32 UN-2A	.467 (11.86)	.730 (18.54)	.480 (12.19)
7	.6250-28 UN-2A	.580 (14.73)	.900 (22.86)	.580 (14.73)
8	.6250-28 UN-2A	.580 (14.73)	.945 (24.00)	.603 (15.32)
9	.6875-28 UN-2A	.655 (16.64)	1.000 (25.40)	.695 (17.65)
10	.7500-28 UN-2A	.721 (18.31)	1.075 (27.30)	.735 (18.67)
11	.8750-28 UN-2A	.790 (20.07)	1.140 (28.96)	.810 (20.57)
12	8125-28 UN-2A	.843 (21.41)	1.190 (30.23)	.880 (22.35)
14	8750-28 UN-2A	.968 (24.59)	1.312 (33.32)	1.010 (25.65)

Material and Finish

- Shell, jam-nut: aluminum alloy or CRES / see how to order table
- Insulator: LCP / N.A.
- Interfacial seal, O-ring: fluorosilicone / N.A.
- Contact: copper alloy / gold plate per ASTM B 488, Type II, Code C, Class 1.25, over suitable underplate

SERIES 804 QDC PUSH-PULL



SERIES 804 QDC PUSH-PULL

# Mighty Mouse Connectors and Cables



## Quick Disconnect, Harsh Environment Overmolded Cordsets

### Series 804 Harsh Environment Shielded Cordsets



Overmolded Cordset

High performance Mighty Mouse cordsets feature easy ordering and fast delivery. These fully shielded and watertight assemblies withstand abrasion, temperature extremes, and chemicals. Flexible overmolding provides rugged, watertight protection to wire and shield. Two styles are available: **Style 1** polyamide overmold and polyurethane cable jacket, and **Style 2** improved temperature range, high flexibility thermoplastic rubber overmold and cable jacket. Overmolded Mighty Mouse cordsets are suitable for military gear and other hostile environments where interconnect reliability and survivability is essential.

#### Product Features

- Single-ended or double-ended
- Rugged, watertight construction
- 100% electrically tested
- Flexible to -55°C. (Style 2)
- Stainless steel shield termination band
- Resistant to chemicals
- Withstands UV and ozone

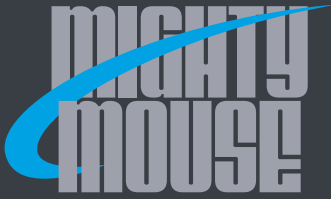
#### High-Speed Cordsets

Controlled impedance twisted pair cordsets for Ethernet, USB, and other protocols are available. Please refer to Section M

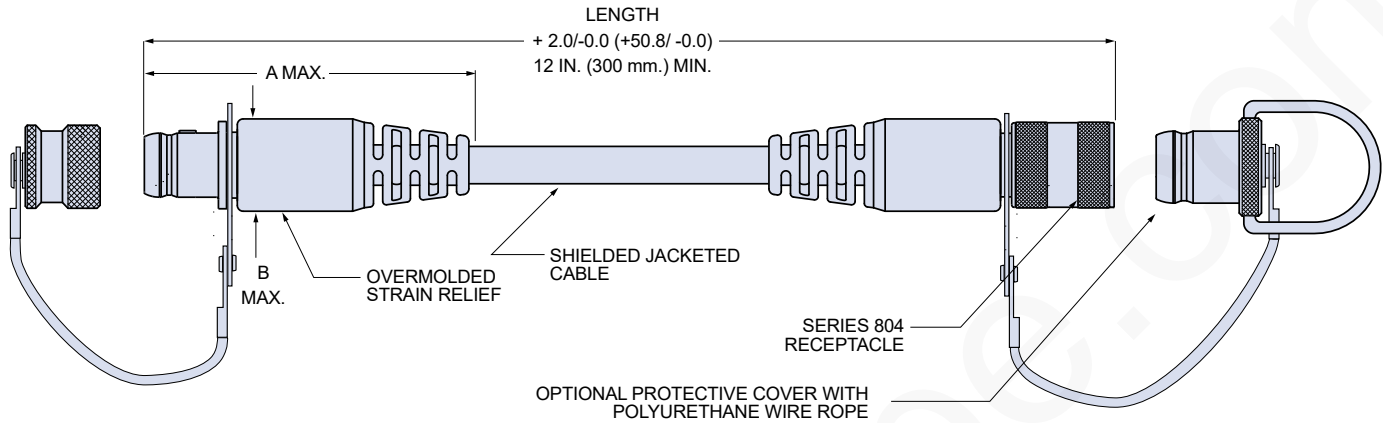
Harsh Environment Cordset Selection Guide		
Property	Style 1 Polyurethane Jacket Polyamide Overmold	Style 2 Rubber Jacket Rubber Overmold
Cable jacket	Thermoplastic polyurethane (TPU), black	Thermoplastic elastomer (TPV), black
Overmold	Polyamide, black	Thermoplastic elastomer (TPV), black
Operating temperature	-30° C. to +105° C.	-55° C. to +135° C.
Flexibility	Good	Excellent
Water Resistance	Waterproof	Waterproof
Solvent Resistance, Cable Jacket	Excellent	Good
Solvent Resistance, Overmold	Fair <sup>(1)</sup>	Good
Weatherability	Excellent	Excellent
Abrasion Resistance	Excellent	Good
Flammability	Flame retardant UL 94 V-0	Flame retardant UL 94 HB
Low Smoke, Zero Halogen Cable Jacket	Yes	No
(1) Excellent resistance to most solvents, fuels, and oils; poor resistance to strong acids and bipolar solvents (alcohol)		

Specifications	
Cable jacket	Style 1: thermoplastic polyurethane, black, low-smoke, zero-halogen Style 2: thermoplastic elastomer, black
Overmold	Style 1: polyamide Style 2: thermoplastic elastomer, black
Cable shield	Tin-coated copper braid, 90% minimum coverage
Conductors	Silver coated stranded wire, TFE insulated, per M22759/11
Shield Termination	Band-Master™ ATS stainless steel shield termination band
Current rating	#23 5 amps, #20 7.5 amps, #16 13 amps, #12 23 amps
Test voltage (DWV)	500 VAC
Insulation resistance	200 Megohms minimum
Shielding effectiveness	50 dB minimum from 100MHz to 1000MHz.

SERIES 804 QDC PUSH-PULL



SERIES 804 QDC PUSH-PULL  
**Mighty Mouse Connectors and Cables**  
 Quick Disconnect, Harsh Environment  
 Overmolded Cordsets

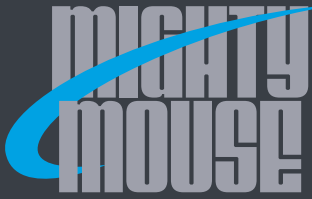


Dimensions		
Shell Size	A Max.	B Max.
5	2.46 (0.10)	0.50 (0.02)
6	2.56 (0.10)	0.56 (0.02)
7	2.64 (0.10)	0.63 (0.02)
8	2.70 (0.11)	0.68 (0.03)
9	2.90 (0.11)	0.73 (0.03)
10	2.95 (0.12)	0.81 (0.03)
11	3.0 (0.12)	0.90 (0.04)
12	3.10 (0.12)	0.92 (0.04)
14	3.20 (0.13)	1.05 (0.04)

**NOTES**

1. Double-ended cordsets are wired pin #1 to pin #1, #2 to #2, and so on.
2. Wires are silver-coated stranded copper with TFE insulation, 600V, in accordance with M22759/11.
3. Wire color is IAW MIL-STD-681 for cables containing 10 wires or less. For cable containing more than 10 wires, wire color is white.

SERIES 804 QDC PUSH-PULL



SERIES 804 QDC PUSH-PULL

Mighty Mouse Connectors and Cables

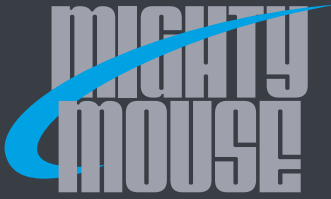


Quick Disconnect, Harsh Environment Overmolded Cordsets

Series 804 Cordsets with #23 Contacts								
Sample Part Number								
804-015	-A	C	2	M	7-10	P	A	-72
Series	End A Connector	End B Connector	Wire Size	Shell Material/ Finish	Insert Arr.	Protective Cover	Shell Key Pos.	Length
<b>804-015</b> <b>Style 1</b> Polyurethane Cable Jacket, Polyamide Overmold <b>804-062</b> <b>Style 2</b> Rubber Cable Jacket and Overmold	<b>-A</b> Plug, with Male Pin Contacts <b>-B</b> Plug, with Female Socket Contacts <b>-C</b> Receptacle, with Male Pin Contacts <b>-D</b> Receptacle, with Female Socket Contacts	<b>A</b> Plug, with Male Pin Contacts <b>B</b> Plug, with Female Socket Contacts <b>C</b> Receptacle, with Male Pin Contacts <b>D</b> Receptacle, with Female Socket Contacts <b>N</b> No Connector (Single-Ended)	<b>2</b> #22 AWG <b>4</b> #24 AWG	<b>M</b> Aluminum/ Electroless Nickel <b>NF</b> Aluminum/ Cadmium with OD Chromate <b>ZNU</b> Aluminum/ Zinc-Nickel with Black Chromate <b>MT</b> Aluminum/ Nickel-PTFE <b>Z1</b> Stainless Steel/ Passivated	See Insert Arrgmt page H-5	<b>P</b> Metal Protective Covers Included <b>N</b> No Covers Supplied	<b>Omit</b> Single Master Key <b>A</b> Pos. A (Normal) <b>B</b> Pos. B <b>C</b> Pos. C <b>D</b> Pos. D <b>E</b> Pos. E <b>F</b> Pos. F  See page H-9	Overall Length In Inches 12 Inch Min.

Series 804 Cordsets with #20HD Contacts								
Sample Part Number								
804-022	-A	C	0	M	8-28	N	A	-72
Series	End A Connector	End B Connector	Wire Size	Shell Material / Finish	Insert Arr.	Protective Cover	Shell Key Pos.	Length
<b>804-022</b> <b>Style 1</b> Polyurethane Cable Jacket, Polyamide Overmold <b>804-063</b> <b>Style 2</b> Rubber Cable Jacket and Overmold	<b>-A</b> Plug, with Male Pin Contacts <b>-B</b> Plug, with Female Socket Contacts <b>-C</b> Receptacle, with Male Pin Contacts <b>-D</b> Receptacle, with Female Socket Contacts	<b>A</b> Plug, with Male Pin Contacts <b>B</b> Plug, with Female Socket Contacts <b>C</b> Receptacle, with Male Pin Contacts <b>D</b> Receptacle, with Female Socket Contacts <b>N</b> No Connector (Single-Ended)	<b>0</b> #20 AWG <b>2</b> #22 AWG	<b>M</b> Aluminum/ Electroless Nickel <b>NF</b> Aluminum/ Cadmium with OD Chromate <b>ZNU</b> Aluminum/ Zinc-Nickel with Black Chromate <b>MT</b> Aluminum/ Nickel-PTFE <b>Z1</b> Stainless Steel/ Passivated	See Insert Arrgmt page H-5	<b>P</b> Metal Protective Covers Included <b>N</b> No Covers Supplied	<b>Omit</b> Single Master Key <b>A</b> Pos. A (Normal) <b>B</b> Pos. B <b>C</b> Pos. C <b>D</b> Pos. D <b>E</b> Pos. E <b>F</b> Pos. F  See page H-9	Overall Length In Inches 12 Inch Min.

SERIES 804 QDC PUSH-PULL



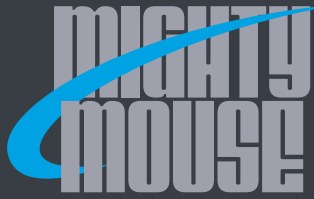
SERIES 804 QDC PUSH-PULL  
**Mighty Mouse Connectors and Cables**  
 Quick Disconnect, Harsh Environment  
 Overmolded Cordsets



Series 804 Cordsets with #16 Contacts								
Sample Part Number								
804-018	-A	C	2	M		N	A	-72
Series	End A Connector	End B Connector	Wire Size	Shell Material/ Finish	Insert Arr.	Protective Cover	Shell Key Pos.	Length
<b>804-018</b> <b>Style 1</b> Polyurethane Cable Jacket, Polyamide Overmold  <b>804-064</b> <b>Style 2</b> Rubber Cable Jacket and Overmold	-A Plug, with Male Pin Contacts	A Plug, with Male Pin Contacts	6 #16 AWG	M Aluminum/ Electroless Nickel	See Insert Arrgmnt page H-5	P Metal Protective Covers Included  N No Covers Supplied	Omit Single Master Key	Overall Length In Inches 12 Inch Min.
	-B Plug, with Female Socket Contacts	B Plug, with Female Socket Contacts	8 #18 AWG	NF Aluminum/ Cadmium with OD Chromate			A Pos. A (Normal)	
	-C Receptacle, with Male Pin Contacts	C Receptacle, with Male Pin Contacts		ZNU Aluminum/ Zinc-Nickel with Black Chromate			B Pos. B	
	-D Receptacle, with Female Socket Contacts	D Receptacle, with Female Socket Contacts		MT Aluminum/ Nickel-PTFE			C Pos. C	
		N No Connector (Single-Ended)		Z1 Stainless Steel/ Passivated			D Pos. D	
							E Pos. E	
							F Pos. F	
								See page H-9

Series 804 Cordsets with #12 Contacts								
Sample Part Number								
804-019	-A	C	0	M		N	A	-72
Series	End A Connector	End B Connector	Wire Size	Shell Material/ Finish	Insert Arr.	Protective Cover	Shell Key Pos.	Length
<b>804-019</b> <b>Style 1</b> Polyurethane Cable Jacket, Polyamide Overmold  <b>804-065</b> <b>Style 2</b> Rubber Cable Jacket and Overmold	-A Plug, with Male Pin Contacts	A Plug, with Male Pin Contacts	2 #12 AWG	M Aluminum/ Electroless Nickel	See Insert Arrgmnt page H-5	P Metal Protective Covers Included  N No Covers Supplied	Omit Single Master Key	Overall Length In Inches 12 Inch Min.
	-B Plug, with Female Socket Contacts	B Plug, with Female Socket Contacts	4 #14 AWG	NF Aluminum/ Cadmium with OD Chromate			A Pos. A (Normal)	
	-C Receptacle, with Male Pin Contacts	C Receptacle, with Male Pin Contacts		ZNU Aluminum/ Zinc-Nickel with Black Chromate			B Pos. B	
	-D Receptacle, with Female Socket Contacts	D Receptacle, with Female Socket Contacts		MT Aluminum/ Nickel-PTFE			C Pos. C	
		N No Connector (Single-Ended)		Z1 Stainless Steel/ Passivated			D Pos. D	
							E Pos. E	
							F Pos. F	
								See page H-9

SERIES 804 QDC PUSH-PULL



SERIES 804 QDC PUSH-PULL

Mighty Mouse Connectors and Cables



Quick Disconnect, Flexible, Lightweight Phantom Cable Cordsets

## Series 804 Ultraflexible “Phantom Cable” Cordsets



Phantom Cable cordsets feature high-flex rubber-insulated wires, lightweight shield and overbraided jackets for maximum flexibility, reduced size and minimum weight. Flexible rubber overmold provides strain relief and environmental sealing. EMI shield options include high-strength, ultralightweight **AmberStrand**<sup>®</sup> nickel-coated composite braid, **ArmorLite**<sup>™</sup> or lightweight, high flexibility tinned copper braid. Braid outer jackets are available with **NOMEX**<sup>®</sup>, **HALAR**<sup>®</sup>, or PTFE-coated fiberglass.

### Product Features

- Overbraided cable jacket for excellent flexibility
- Ultra-lightweight AmberStrand<sup>®</sup> EMI shield
- 100% electrically tested
- Flexible to -55°C.
- Stainless steel shield termination band

### Application Note

Overbraided textile jackets are ideal for applications where flexibility and weight are important. However, water can penetrate through the jacket and cable shield. Dust and contamination can also become entrapped in the braid. Braided jackets are prone to fraying damage caused by snagging on velcro closures and MOLLE vests. Extruded cable jackets are recommended if debris entrapment, moisture ingress, or fraying damage are concerns.

#### Braid Shield Selection Guide

Property	AmberStrand <sup>®</sup>	ArmorLite <sup>®</sup>	Copper
Type	nickel-coated high-strength super fiber	Micro-filament nickel-coated stainless steel	Tin-coated copper
Weight/ft. (0.5 in. ID)	3.7 grams	4.4 grams	22.3 grams
Operating Temp <sup>(1)</sup>	-65° C to +200° C	-80° C to +260° C	-80° C to +150° C
Coverage	90% min.	90% min.	90% min.
Flexibility	Excellent	Excellent	Good
Cost Comparison	\$\$\$	\$\$	\$

(1) Rubber wires and rubber overmold are rated for -55° C to +135° C.

#### Jacket Selection Guide

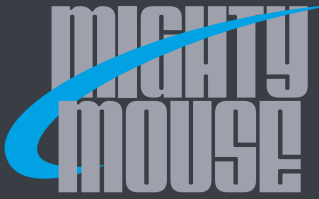
Property	NOMEX <sup>®</sup>	HALAR <sup>®</sup>	PTFE Coated Fiberglass
Color	Black or olive drab	Black	Tan
Operating Temp <sup>(1)</sup>	-55° C to +260° C	-73° C to +150° C	-75° C to +300° C
Chemical Resistance	Excellent	Excellent	Excellent
Flammability	Self-extinguishing, will not melt	Fire retardant UL VW-1	Self-extinguishing
Toxicity	Non-toxic	Non-toxic	Non-toxic
Flexibility	Excellent	Excellent	Excellent
Abrasion resistance	Excellent	Excellent	Excellent

(1) Rubber wires and rubber overmold are rated for -55° C to +135° C.

#### Specifications

Cable jacket	NOMEX <sup>®</sup> , HALAR <sup>®</sup> or PTFE-coated fiberglass
Temperature Range	-55° C to +135° C
Overmold	Thermoplastic elastomer, black
Cable shield	AmberStrand <sup>®</sup> , ArmorLite <sup>®</sup> or tinned copper, 90% minimum coverage
Conductors	Silver coated stranded wire, rubber insulation
Shield Termination	Band-Master <sup>™</sup> ATS stainless steel shield termination band
Current rating	5 amps
Test voltage (DWV)	500 Vac
Insulation resistance	200 Megohms minimum
Shielding effectiveness	50 dB minimum from 100MHz to 1000MHz.

SERIES 804 QDC PUSH-PULL

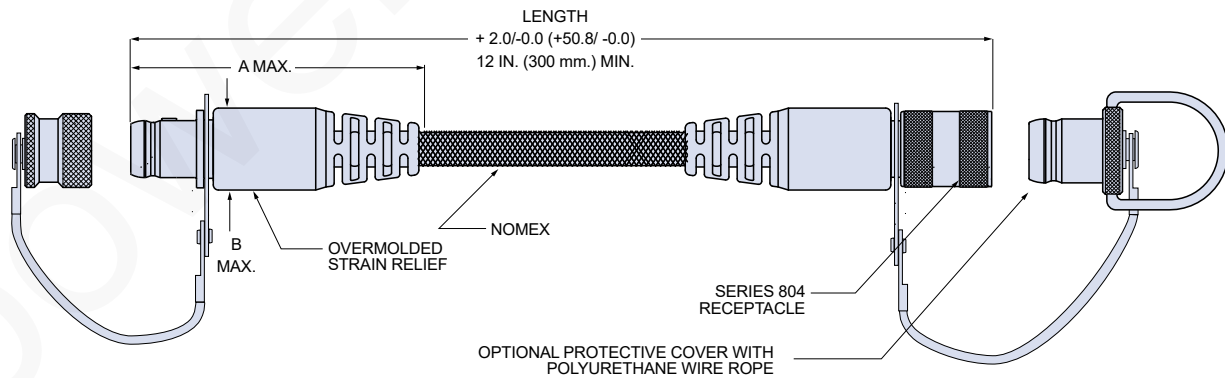


# SERIES 804 QDC PUSH-PULL Mighty Mouse Connectors and Cables



## Quick Disconnect, Flexible, Lightweight Phantom Cable Cordsets

Series 804 "Phantom Cable" Cordsets size #12, #16, #20 and #23 Contacts										
Sample Part Number										
804-058	-B	N	2	Z1	5-3	N	A	-60	C	N
Series	End A Connector	End B Connector	Wire Size	Shell Material/ Finish	Insert Arr.	Protective Cover	Shell Key Pos.	Length	Shield Option	Jacket Option
<b>Size #23 Contacts</b> 804-058 Phantom Cable Cordset	-A Plug, with Male Pin Contacts	A Plug, with Male Pin Contacts	<b>Size #23 Contacts</b> 4 #24 AWG	M Aluminum/ Electroless Nickel	See Insert Argmnt page H-5	P Metal Protective Covers Included	Omit Single Master Key	Overall Length In Inches 12 Inch Min.	A AmberStrand	N Nomex, Black
	-B Plug, with Female Socket Contacts	B Plug, with Female Socket Contacts	6 #26 AWG	NF Aluminum/ Cadmium with OD Chromate		N No Covers Supplied	A Pos. A (Normal)		B ArmorLite	H Halar (Monofil)
			8 #28 AWG	ZNU Aluminum/ Zinc-Nickel with Black Chromate			B Pos. B		C Tin-Coated Copper	P PTFE-Glass (Natural/ Tan)
<b>Size #20 HD Contacts</b> 804-059 Phantom Cable Cordset	-C Receptacle with Male Pin Contacts	C Receptacle with Male Pin Contacts	<b>Size #20 HD Contacts</b> 0 #20 AWG	MT Aluminum/ Nickel-PTFE			C Pos. C			
	-D Receptacle with Female Socket Contacts	D Receptacle with Female Socket Contacts	2 #22 AWG	Z1 Stainless Steel/ Passivated			D Pos. D			
<b>Size #16 Contacts</b> 804-060 Phantom Cable Cordset		N No Connector (Single-Ended)	<b>Size #16 Contacts</b> 6 #16 AWG				E Pos. E			
			8 #18 AWG				F Pos. F	See page H-9		
<b>Size #12 Contacts</b> 804-061 Phantom Cable Cordset			<b>Size #12 Contacts</b> 2 #12 AWG							
			4 #14 AWG							



### NOTES

1. Double-ended cordsets are wired pin #1 to pin #1, #2 to #2, and so on.
2. Wires are silver-coated stranded copper with TPE insulation, 600V, UL VW-1 rated.
3. Wire color is IAW MIL-STD-681 for cables containing 10 wires or less. For cable containing more than 10 wires, wire color is white.