

SERIES 804 QDC PUSH-PULL

# Mighty Mouse Connectors and Cables



## Cable Connector Plug with Integral Shield Termination Platform or Accessory Threads



### Series 804 In-line Plugs

Plugs designed to snap securely into the receptacle housings and release with a simple pull. Two keying styles available. Select a single master key for fast mating in low-light situations, or specify alternate key positions where polarization is required. Two shell styles available. Select integral band platform for direct cable shield termination with use of Band-Master ATS® band. Choose accessory thread shell style for attaching a strain relief backshell or adapter. Aluminum or stainless steel shells available. Contacts are copper alloy and gold plated. Fluorosilicone interfacial and grommet seals provide IP67 sealing in the mated condition.

### How To Order

<b>Sample Part Number</b>	<b>804-001</b>	<b>-06</b>	<b>NF</b>	<b>9-19</b>	<b>S</b>	<b>A</b>
<b>Series (See Table I)</b>	<b>804-001</b> = Plug with Banding Platform <b>804-002</b> = Plug with Accessory Thread					
<b>Shell Style</b>	<b>-06</b> = Plug					
<b>Shell Material and Finish</b>	<b>C</b> = Aluminum / Black Anodize (Non-Conductive) <b>M</b> = Aluminum / Electroless Nickel <b>MT</b> = Aluminum / Nickel-PTFE <b>NF</b> = Aluminum / Cadmium with Olive Drab Chromate <b>ZNU</b> = Aluminum / Zinc-Nickel with Black Chromate <b>Z1</b> = Stainless Steel / Passivated					
<b>Shell Size - Insert Arrangement</b>	See Contact Arrangements Page H-6					
<b>Contact Type</b>	<b>Connector supplied without contacts</b> <b>A</b> = Pin, less contacts <b>B</b> = Socket, less contacts		<b>Connector supplied with contacts</b> <b>P</b> = Pin Connector <b>S</b> = Socket Connector		<b>Connector supplied with 30 AWG crimp Barrel</b> <b>G</b> = Pin, Crimp <b>H</b> = Socket, Crimp	
Connectors with contacts are supplied with crimp contacts. Contacts not installed. For coax contacts, order contacts separately and order connector without contacts.						
<b>Polarization (See Table II)</b>	<b>Omit</b> = Single Master Key <b>A</b> = Normal <b>B</b> = Pos. B <b>C</b> = Pos. C <b>D</b> = Pos. D <b>E</b> = Pos. E <b>F</b> = Pos. F					

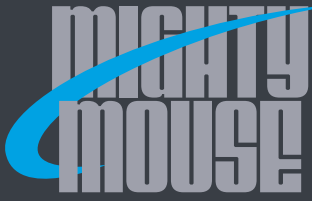
Table I: Series

<b>804-001</b> Plug with Banding Platform	<b>804-002</b> Plug with Accessory Thread

Table II: Key Positions

	<b>Pos.</b>	<b>A°</b>	<b>B°</b>
	A	150°	210°
	B	75°	210°
	C	95°	230°
	D	140°	275°
	E	75°	275°
	F	95°	210°

SERIES 804 QDC PUSH-PULL



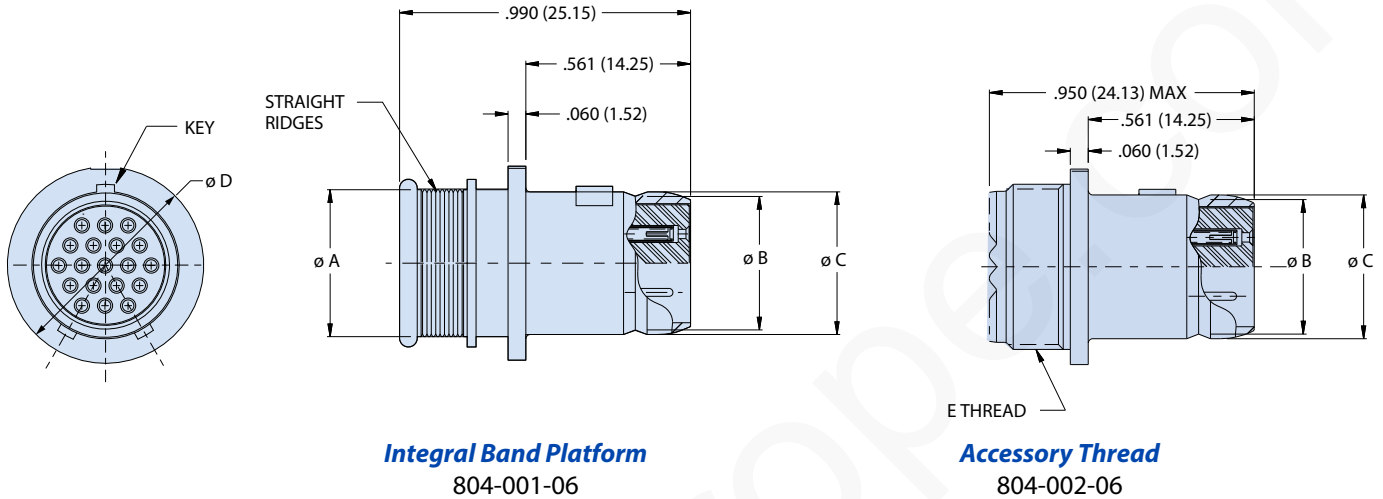
SERIES 804 QDC PUSH-PULL

Mighty Mouse Connectors and Cables



Cable Connector Plug with Integral Shield Termination Platform or Accessory Threads

**PLUG CONNECTOR - STYLE 06**



Dimensions					
Shell Size	$\varnothing A$	$\varnothing B$	$\varnothing C$	$\varnothing D$ Max.	E Threads
5	.246 (6.25)	.219 (5.56)	.250 (6.35)	.427 (10.85)	.2500-32 UNEF-2A
6	.286 (7.26)	.282 (7.16)	.313 (7.95)	.495 (12.57)	.3125-32 UNEF-2A
7	.390 (9.91)	.351 (8.92)	.383 (9.73)	.575 (14.60)	.4375-28 UNEF-2A
8	.442 (11.23)	.398 (10.11)	.429 (10.90)	.614 (15.60)	.5000-28 UNEF-2A
9	.500 (12.70)	.454 (11.53)	.486 (12.34)	.670 (17.02)	.5625-24 UNEF-2A
10	.564 (14.33)	.529 (13.44)	.563 (14.30)	.745 (18.92)	.6250-24 UNEF-2A
11	.608 (15.44)	.587 (14.91)	.618 (15.70)	.795 (20.19)	.6875-24 UNEF-2A
12	.650 (16.51)	.646 (16.41)	.676 (17.17)	.865 (21.97)	.6875-24 UNEF-2A
14	.805 (20.45)	.768 (19.51)	.800 (20.32)	.985 (25.02)	.9375-20 UNEF-2A

**NOTES**

1. Contacts are size 23 crimp type, and used in a rear release retention system.
2. For additional insert arrangements consult factory
3. Crimp barrel accommodates 22, 24, 26 and 28 gage wire
4. Crimp Tool Data:
  - Crimp Frame: 809-015
  - Positioner for use with crimp frame: Glenair part no. 809-005
  - Insertion / extraction tool: Glenair part no. 809-088
5. Connector, plug mates with all push/pull high density receptacle connectors with same polarization and opposite contact gender
6. Rear insulator grommet not supplied
7. Material and Finish
  - Shell: aluminum alloy or CRES / see how to order table
  - Insulator: high grade rigid dielectric
  - Interfacial seal, gasket: fluorosilicone / N.A.
  - Contact: copper alloy / gold plate per ASTM B 488, Type II, Code C, Class 1.25, over suitable underplate

SERIES 804 QDC PUSH-PULL